

PART NUMBER

**KAD187924**

REV.

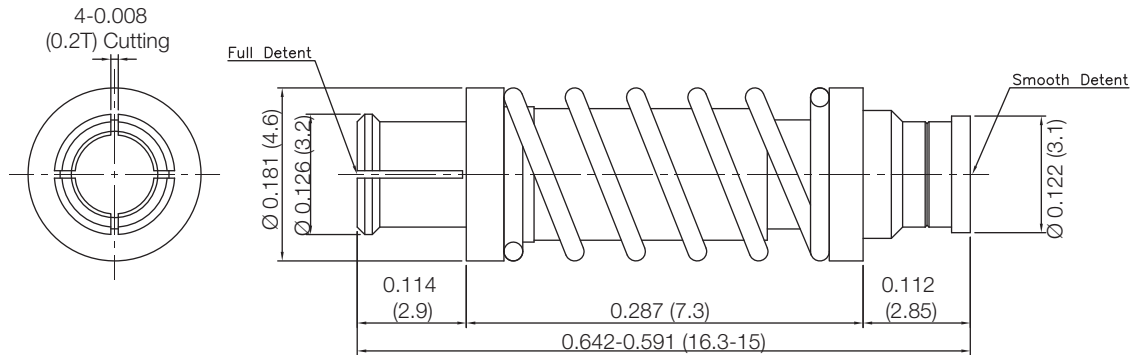
DATE

COMMENTS

INITIAL

**Electrical Data**

Impedance	50Ω
Frequency Range	DC - 18GHz.
Insertion Loss	3.0dB Max
Voltage Rating	350 VRMS
RF Leakage	-80dB Min between 2-3GHz
Insulation Resistance	5,000 MΩ
Dielectric Withstanding Voltage	500 VRMS
VSWR	4.00 Max

**RoHS Compliant****Mechanical Data**

Durability	100 Cycles Min.
Temperature Range:	-55 °C - 165 °C
Engagement Force	15 Pound (Full)/2 Pound (Smooth)
Disengagement Force	5 Pound (Full)/ 0.5 Pound (Smooth)
Center Contact Retention Force	1.5 Pound
Axial Float	±0.5mm Min

Drawing not to scale. Dimensions for reference only

Units: inches (mm)

**Konnect RF**

WWW.KONNECTRF.COM  
1-800-790-5887

PART NUMBER

**KAD187924**

DESCRIPTION

**Spring Adapter, In-Series, SMP Female Jack to Female Jack**

CAGE CODE

**664U0**

SIGNATURE

X

THIS DRAWING INCLUDING THE  
DESIGNS IS THE PROPERTY OF  
KONNECT RF AND IS NOT TO  
BE USED FOR ANY PURPOSE  
WITHOUT OUR APPROVAL.

**Component**

Body  
Center Contact  
Insulator  
Spring

**Material**

BeCu  
BeCu  
PTFE  
Music Wire

**Plating**

Gold  
Gold  
Nickel