

PART NUMBER

KAD187921

REV.

DATE

COMMENTS

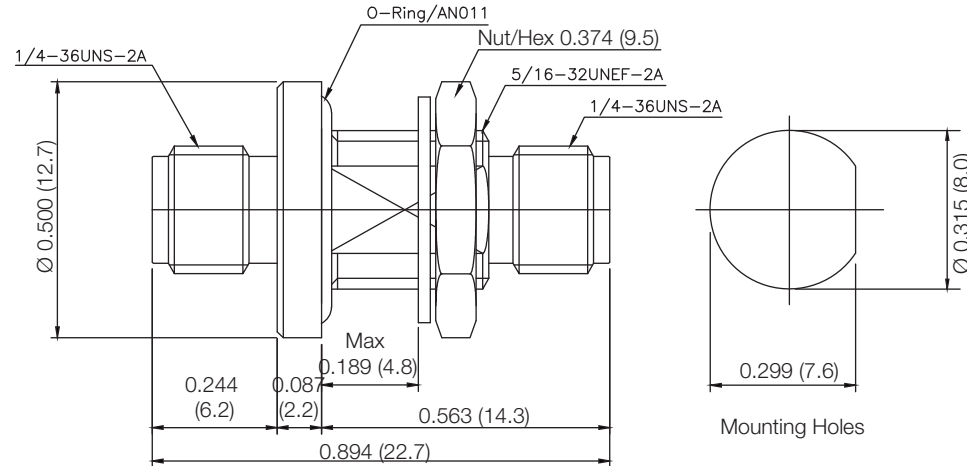
INITIAL

Electrical Data

Impedance	50 Ω
Frequency Range	DC - 18GHz.
Insertion Loss	0.5dB max
Working Voltage	335 VRMS max
Contact Resistance	< 3mΩ
Insulation Resistance	5,000MΩ min
Dielectric Withstanding Voltage	1,000V min
VSWR	1.25 @ 12.4GHz
Power Handling	1watt (Average)

Mechanical Data

Durability	500 Cycles Min.
Temperature Range:	-65 °C - 165 °C

RoHS Compliant

Drawing not to scale. Dimensions for reference only

Units: inches (mm)

Konnect RF

WWW.KONNECTRF.COM
1-800-790-5887

PART NUMBER

KAD187921

DESCRIPTION

**Adapter, In-Series, Bulkhead Female Jack to Female Jack,
O-Ring Seal (IP67), 50 Ohm, DC-18 GHz, Isolated**

CAGE CODE

664U0

SIGNATURE

X

THIS DRAWING INCLUDING THE
DESIGNS IS THE PROPERTY OF
KONNECT RF AND IS NOT TO
BE USED FOR ANY PURPOSE
WITHOUT OUR APPROVAL.

Component

Body, Nut & Washer
Center Contact
Insulator
O-Ring
Isolation

Material

Brass
BeCu
PTFE
Silicone Rubber
ACETAL

Plating

Gold
Gold