

PART NUMBER

KAD187889

REV.

DATE

COMMENTS

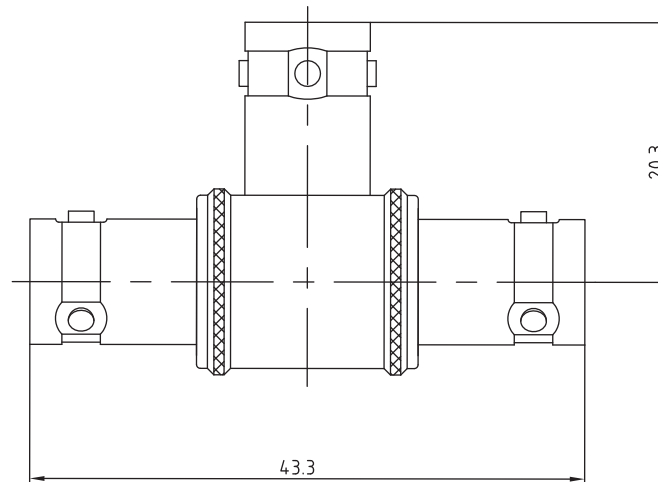
INITIAL

Electrical Data

Impedance 50 Ω
 Frequency Range DC - 500 MHz.
 Insertion Loss 0.05XSQRT[F(GHz)]dB Max
 Insulation Resistance 1,000 M Ω min
 Dielectric Withstanding Voltage 500 VRMS Min
 VSWR 1.25 Max

Mechanical Data

Durability 100 Cycles Min.
 Temperature Range: -40 °C - 125 °C

RoHS Compliant

Drawing not to scale. Dimensions for reference only

Units: mm

Konnect RF

WWW.KONNECTRF.COM
 1-800-790-5887

PART NUMBER

KAD187889

DESCRIPTION

Adapter, T-Type, TXA Female Jack to Female Jack to Female Jack

CAGE CODE

664U0

SIGNATURE

X

THIS DRAWING INCLUDING THE
 DESIGNS IS THE PROPERTY OF
 KONNECT RF AND IS NOT TO
 BE USED FOR ANY PURPOSE
 WITHOUT OUR APPROVAL.

Component

Body
 Outer Contact
 Inner Contact
 Insulator

Material

Brass
 Brass
 Bronze
 PTFE

Plating

Nickel
 Nickel
 Gold