

PART NUMBER

KAD187707

REV.

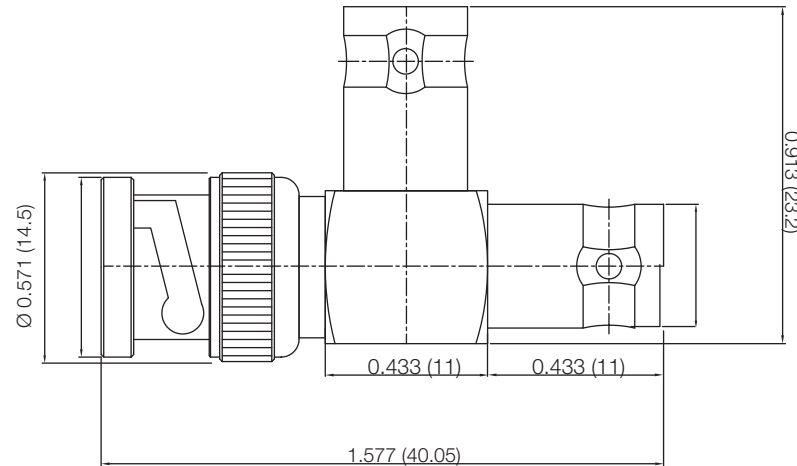
DATE

COMMENTS

INITIAL

Electrical DataImpedance 50 Ω

RoHS Compliant



Drawing not to scale. Dimensions for reference only

Units: inches (mm)

Konnect RF

WWW.KONNECTRF.COM
1-800-790-5887

PART NUMBER

KAD187707

DESCRIPTION

Adapter, T-Type, In-Series, BNC Female Jack to Female Jack to Male Plug

CAGE CODE

664U0

SIGNATURE

X

THIS DRAWING INCLUDING THE DESIGNS IS THE PROPERTY OF KONNECT RF AND IS NOT TO BE USED FOR ANY PURPOSE WITHOUT OUR APPROVAL.

Component

Body
Center Contact
Insulator
Shell

Material

Brass
Brass
Teflon
Brass

Plating

Nickel
Gold
White
Nickel