

PART NUMBER

KAD187652

REV.

DATE

COMMENTS

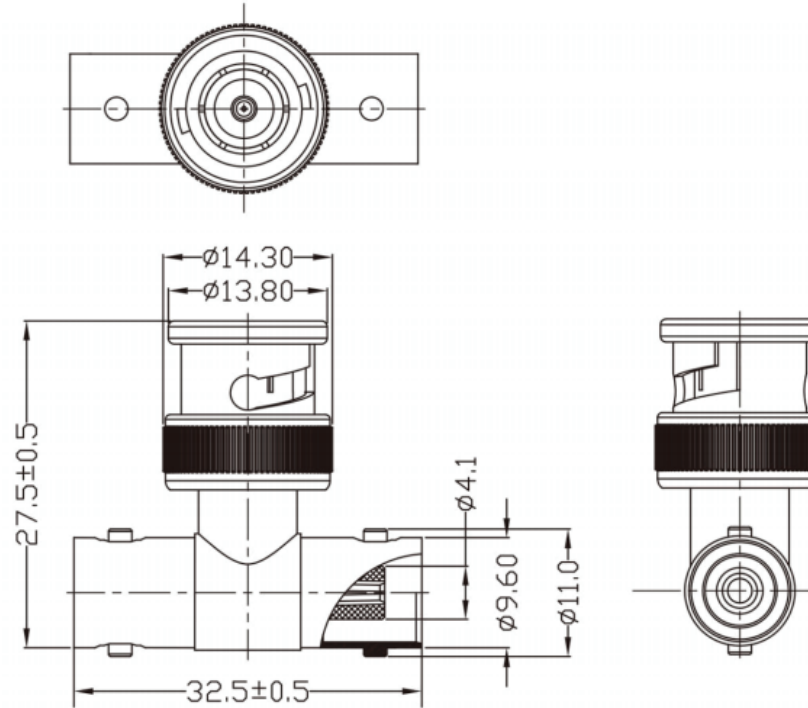
INITIAL

Electrical Data

Impedance 50 Ω
 Frequency Range DC - 3 GHz.
 Operating Voltage 500 V Max
 Mechanical Max 0.25 Nm (2.2in-lbs)

Mechanical Data

Operating Temperature: -40 °C - 85 °C
 Durability 500 Cycle

RoHS Compliant

Drawing not to scale. Dimensions for reference only

Units: mm

Konnect RF

WWW.KONNECTRF.COM
 1-800-790-5887

PART NUMBER

KAD187652

DESCRIPTION

Adapter, T-Type, BNC Female Jack to Male Plug to Female Jack

CAGE CODE

664U0

SIGNATURE

X

THIS DRAWING INCLUDING THE
 DESIGNS IS THE PROPERTY OF
 KONNECT RF AND IS NOT TO
 BE USED FOR ANY PURPOSE
 WITHOUT OUR APPROVAL.

Component

Body
 Center Contact 1
 Center Contact 2
 Washer
 Outer Contact
 Shell
 Spring
 Insulator

Material

Zinc
 Phos. Bronze
 Brass
 Iron
 Zinc Alloy
 Zinc
 65Mn
 POM

Plating

Nickel
 Gold
 Gold
 Nickel
 Nickel
 Nickel