

PART NUMBER

KAD187611

REV.

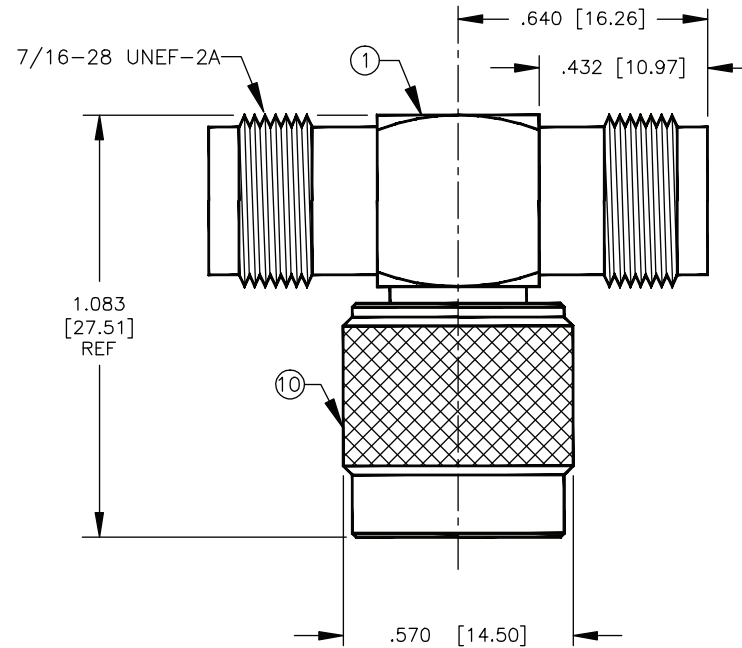
DATE

COMMENTS

INITIAL

Electrical Data

Impedance 50 Ω
 Frequency Range DC - 7 GHz.
 Working Voltage 500 VRMS @ Sea Level

RoHS Compliant

Drawing not to scale. Dimensions for reference only

Units: inches (mm)

Konnect RF

WWW.KONNECTRF.COM
 1-800-790-5887

PART NUMBER

KAD187611

DESCRIPTION

Adapter, T-Type, TNC Female Jack to Male Plug to Female Jack

CAGE CODE

664U0

SIGNATURE

X

THIS DRAWING INCLUDING THE
 DESIGNS IS THE PROPERTY OF
 KONNECT RF AND IS NOT TO
 BE USED FOR ANY PURPOSE
 WITHOUT OUR APPROVAL.

Component

Body & Shell
 Press Fit Body
 Contact
 Pin
 Insulator
 Press Fit Washer
 Gasket
 Retaining Ring

Material

Brass
 Brass
 Brass
 Brass
 PTFE
 Brass
 Silicone Rubber
 Brass

Plating

Nickel
 Nickel
 Gold
 Gold

 Nickel
 Red