

PART NUMBER

**KAD187499**

REV.

DATE

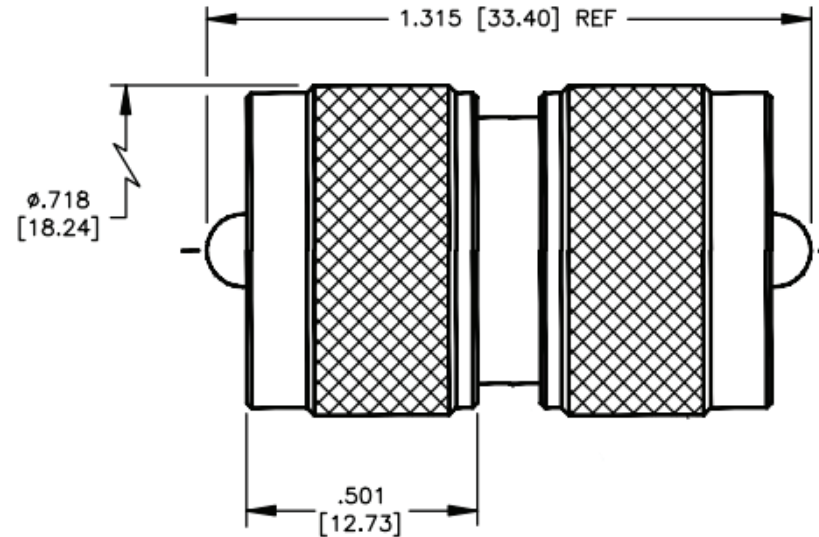
COMMENTS

INITIAL

**Electrical Data**

Impedance  
Frequency Range  
Working Voltage

Non Constant  
0-300MHz.  
500V RMS Max @ Sea Level

**RoHS Compliant**

Drawing not to scale. Dimensions for reference only

Units: inches (mm)

**Konnect RF**

WWW.KONNECTRF.COM  
1-800-790-5887

PART NUMBER

**KAD187499**

DESCRIPTION

**Adapter, In-Series, UHF Straight Male Plug to Male Plug**

CAGE CODE

**664U0**

SIGNATURE

X

THIS DRAWING INCLUDING THE  
DESIGNS IS THE PROPERTY OF  
KONNECT RF AND IS NOT TO  
BE USED FOR ANY PURPOSE  
WITHOUT OUR APPROVAL.

**Component**  
Body  
Center Contact  
Insulator  
Retaining Ring  
Shell

**Material**  
Brass  
Brass  
PTFE  
Brass  
BRass

**Plating**  
Nickel  
Silver  
Nickel  
Nickel