

PART NUMBER

KAD187493

REV.

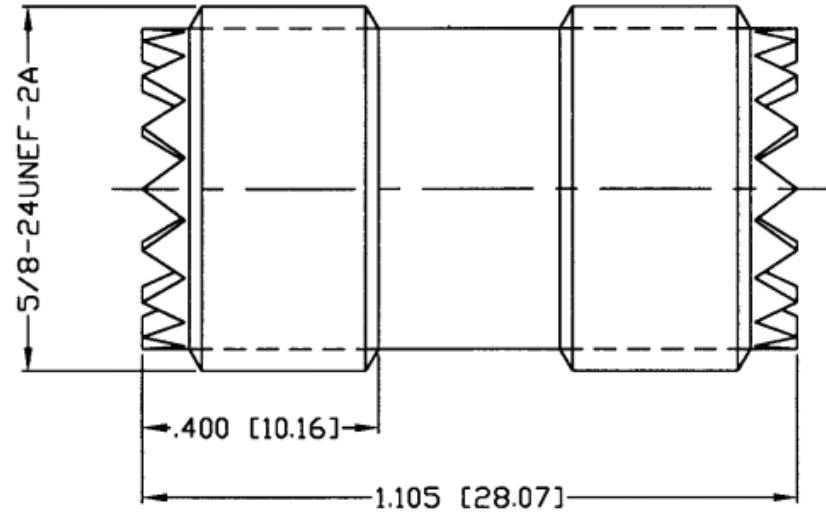
DATE

COMMENTS

INITIAL

Electrical Data

Impedance	Non Constant
Frequency Range	0-300MHz.
Working Voltage	500V RMS Max @ Sea Level

RoHS Compliant

Drawing not to scale. Dimensions for reference only

Units: Inches (mm)

Konnect RF

WWW.KONNECTRF.COM
1-800-790-5887

PART NUMBER

KAD187493

DESCRIPTION

Adapter, In-Series, UHF Straight Female to Female Jack

CAGE CODE

664U0

SIGNATURE

X

THIS DRAWING INCLUDING THE
DESIGNS IS THE PROPERTY OF
KONNECT RF AND IS NOT TO
BE USED FOR ANY PURPOSE
WITHOUT OUR APPROVAL.

Component

Body
Center Contact
Insulator
Press Washer

Material

Brass
Brass
DAP
Brass

Plating

Nickel 80μ
Silver 5μ
Nickel 80μ