

PART NUMBER

KAD187384

REV.

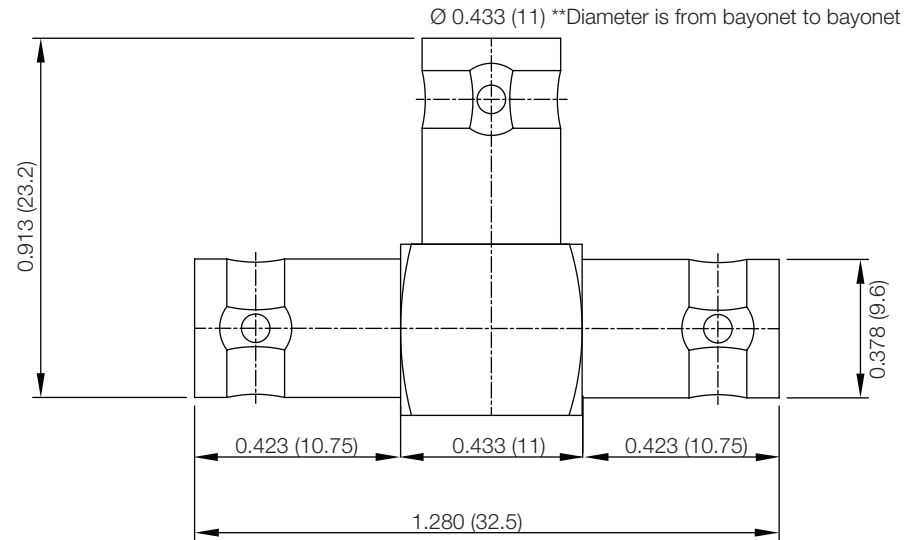
DATE

COMMENTS

INITIAL

Electrical Data

RoHS Compliant

Impedance 75 Ω 

Drawing not to scale. Dimensions for reference only

Units: inches (mm)

Konnect RFWWW.KONNECTRF.COM
1-800-790-5887

PART NUMBER

KAD187384

DESCRIPTION

Adapter, T-Type, BNC Female Jack to Female Jack to Female Jack

CAGE CODE

664U0

SIGNATURE

X

THIS DRAWING INCLUDING THE
DESIGNS IS THE PROPERTY OF
KONNECT RF AND IS NOT TO
BE USED FOR ANY PURPOSE
WITHOUT OUR APPROVAL.**Component**
Body
Center Contact
Insulator**Material**
Brass
Brass
POM**Plating**
Nickel
Gold