

PART NUMBER

**KAD187360**

REV.

DATE

COMMENTS

INITIAL

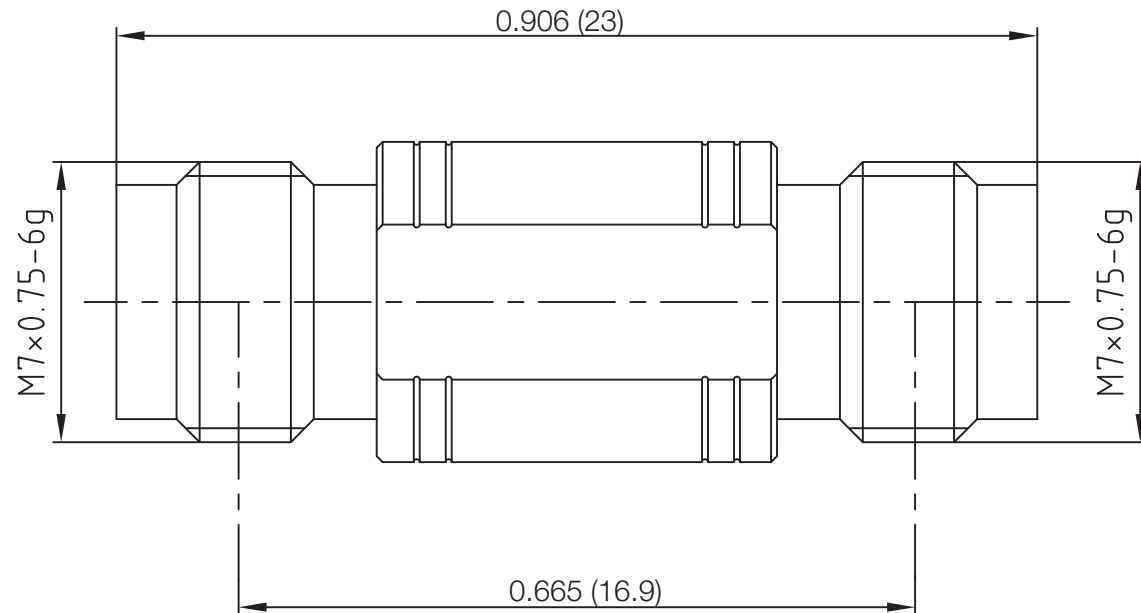
**Electrical Data**

Impedance	50 $\Omega$
Frequency Range	DC - 67 GHz.
Insertion Loss	0.1 XSQRT[F(GHz)]dB max
Voltage Rating	500 VRMS
Insulation Resistance	5000 M $\Omega$
Dielectric Withstanding Voltage	1000 VRMS
VSWR	1.25 max

**Mechanical Data**

Durability	1000 Cycles Min.
Temperature Range:	-40 °C - 85 °C

RoHS Compliant



Drawing not to scale. Dimensions for reference only

Units: inches (mm)

**Konnect RF**

WWW.KONNECTRF.COM  
1-800-790-5887

PART NUMBER

**KAD187360**

DESCRIPTION

**Adapter, 1.85mm Female to 1.85mm Female**

CAGE CODE

**664U0**

SIGNATURE

X

THIS DRAWING INCLUDING THE  
DESIGNS IS THE PROPERTY OF  
KONNECT RF AND IS NOT TO  
BE USED FOR ANY PURPOSE  
WITHOUT OUR APPROVAL.

**Component**

Body  
Center Contact  
Outer Contact  
Insulator

**Material**

Stainless Steel  
BeCu  
Stainless Steel  
PEI

**Plating/Finish**

Passivated  
Gold  
Passivated