

PART NUMBER

KAD187346

REV.

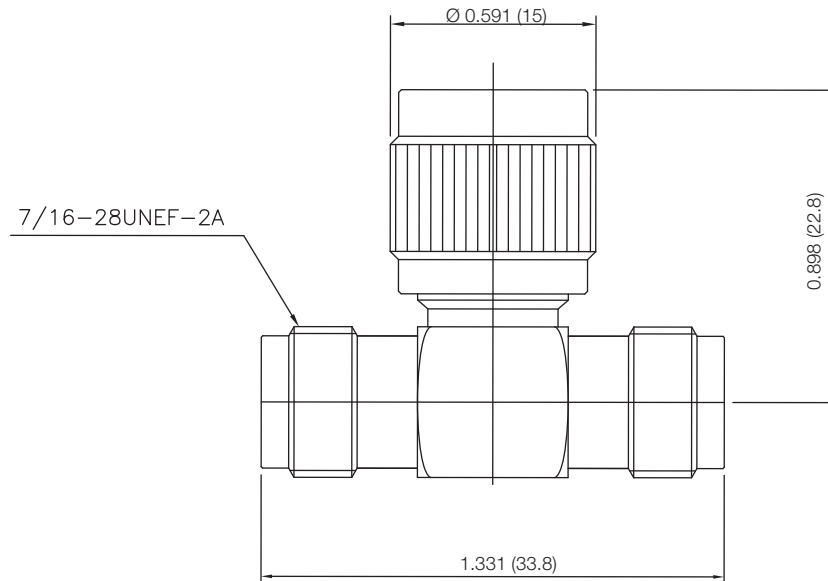
DATE

COMMENTS

INITIAL

Electrical DataImpedance 50 Ω

RoHS Compliant



Drawing not to scale. Dimensions for reference only

Units: inches (mm)

Konnect RF

WWW.KONNECTRF.COM
1-800-790-5887

PART NUMBER

KAD187346

DESCRIPTION

Adapter, T-Type, TNC Female Jack to Male Plug to Female Jack

CAGE CODE

664U0

SIGNATURE

X

Component

Body, Coupling Cap
Center Contact
Insulator

Material

Brass
BeCu
PTFE

Plating

Nickel
Gold

THIS DRAWING INCLUDING THE DESIGNS IS THE PROPERTY OF KONNECT RF AND IS NOT TO BE USED FOR ANY PURPOSE WITHOUT OUR APPROVAL.