

PART NUMBER

KAD187343

REV.

DATE

COMMENTS

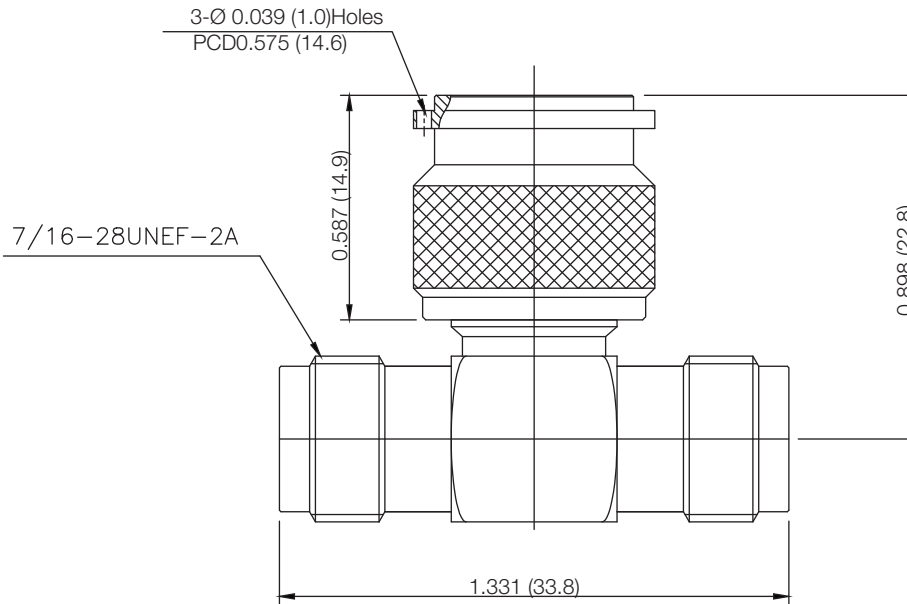
INITIAL

Electrical Data

Impedance 50Ω
 Frequency Range DC - 11 GHz.
 Power Rating 400Watt @ 6GHz

Mechanical Data

Temperature Range: -45 °C - 125 °C

RoHS Compliant

Drawing not to scale. Dimensions for reference only

Units: inches (mm)

Konnect RF

WWW.KONNECTRF.COM
 1-800-790-5887

PART NUMBER

KAD187343

DESCRIPTION

Adapter, T-Type, TNC Female Jack to Male Plug to Female Jack

CAGE CODE

664U0

SIGNATURE

X

THIS DRAWING INCLUDING THE
 DESIGNS IS THE PROPERTY OF
 KONNECT RF AND IS NOT TO
 BE USED FOR ANY PURPOSE
 WITHOUT OUR APPROVAL.

Component

Body & Coupling Cap
 Center Contact
 Insulator

Material

Brass
 BeCu
 PTFE

Plating

Silver
 Gold