

PART NUMBER

KAD187338

REV.

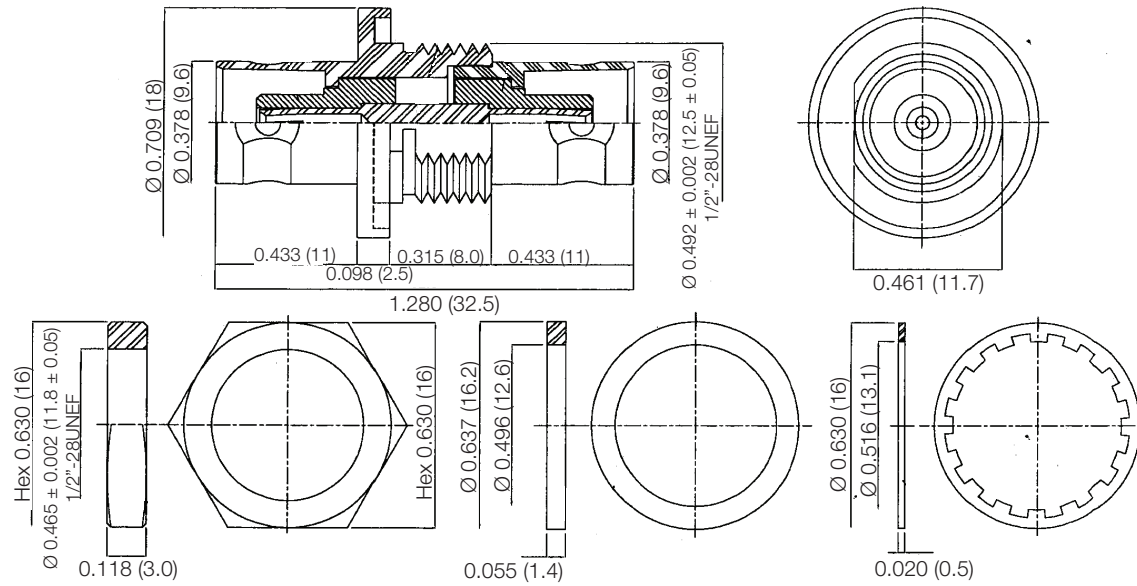
DATE

COMMENTS

INITIAL

Electrical Data

Impedance

50 Ω **RoHS Compliant**

Drawing not to scale. Dimensions for reference only

Units: inches (mm)

Konnect RFWWW.KONNECTRF.COM
1-800-790-5887

PART NUMBER

KAD187338

DESCRIPTION

Adapter, In Series, BNC Female Jack to Female Jack, Bulkhead, O-Ring Seal (IP67), (POM Insulator)

CAGE CODE

664U0

SIGNATURE

X

THIS DRAWING INCLUDING THE
DESIGNS IS THE PROPERTY OF
KONNECT RF AND IS NOT TO
BE USED FOR ANY PURPOSE
WITHOUT OUR APPROVAL.**Component**Body, Nut, & Washer
Center Pin
O-Ring Seal (IP67)
Insulator**Material**Brass
Brass
Silicone Rubber
PTFE**Plating**Nickel
Gold