

PART NUMBER

KAD187330

REV.

DATE

COMMENTS

INITIAL

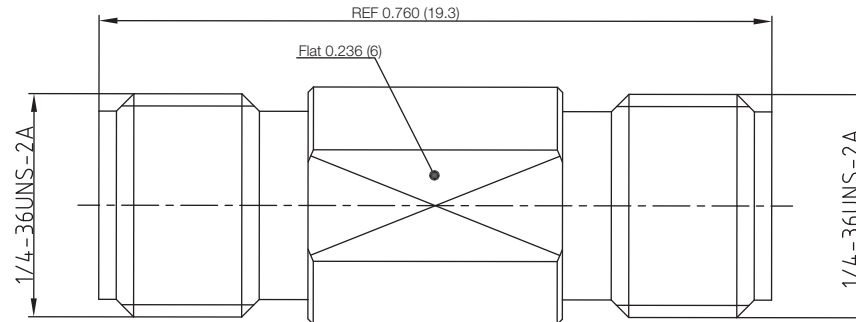
Electrical Data

Impedance	50 Ω
Frequency Range	DC - 40 GHz
Insertion Loss	0.12XSQRT[F(GHz)]dB MAX.
Voltage Rating	500 VRMS
Insulation Resistance	5000 M Ω
Dielectric Withstanding Voltage	2000 VRMS
VSWR	1.2 MAX. @ DC -40 GHz
Intermodulation 3rd order	N/A dBc MAX. (2 X 43 dBm)

Mechanical Data

Durability	100 Cycles Min
Temperature Range	-40 °C - 85 °C

RoHS Compliant



Drawing not to scale. Dimensions for reference only

Units: inches (mm)

Konnect RF

WWW.KONNECTRF.COM
1-800-790-5887

PART NUMBER

KAD187330

DESCRIPTION

Adapter, In-Series, 2.92mm Straight Female Jack to Female Jack, PSS

CAGE CODE

664U0

SIGNATURE

X

THIS DRAWING INCLUDING THE DESIGNS IS THE PROPERTY OF KONNECT RF AND IS NOT TO BE USED FOR ANY PURPOSE WITHOUT OUR APPROVAL.

Component

Body
Outer Contact
Inner Contact
Insulator
O-Ring

Material

Stainless Steel
Stainless Steel
BeCu
PEI
Silicone Rubber

Plating

Passivated
Passivated
Gold
Natural
Red