

PART NUMBER

KAD187323

REV.

DATE

COMMENTS

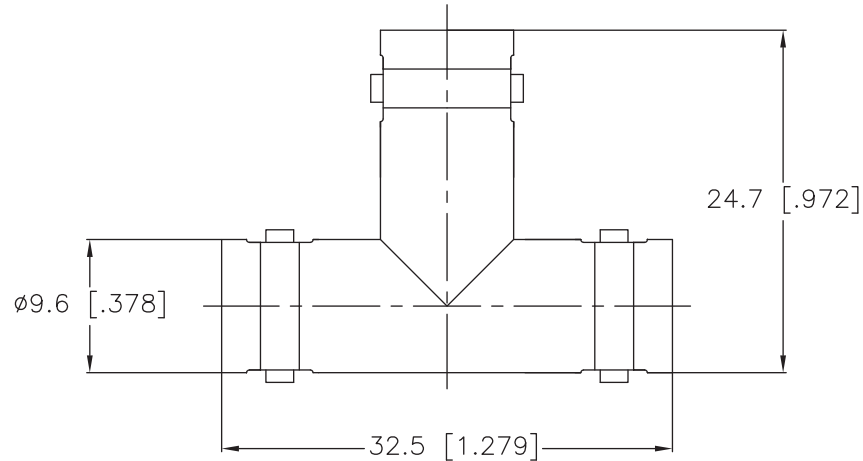
INITIAL

Electrical Data

Impedance 50Ω
 Frequency Range DC - 4 GHz.
 Insulation Resistance 5,000MΩ Min
 Dielectric Withstanding Voltage 1,000V Max At Sea Level

RoHS Compliant**Mechanical Data**

Temperature Range: -65 °C - 165 °C
 Durability 500 Cycles



Drawing not to scale. Dimensions for reference only

Units: mm (Inches)

Konnect RF

WWW.KONNECTRF.COM
 1-800-790-5887

PART NUMBER

KAD187323

DESCRIPTION

Adapter, T-Type, BNC Female Jack to Female Jack to Female Jack

CAGE CODE

664U0

SIGNATURE

X

THIS DRAWING INCLUDING THE
 DESIGNS IS THE PROPERTY OF
 KONNECT RF AND IS NOT TO
 BE USED FOR ANY PURPOSE
 WITHOUT OUR APPROVAL.

Component

Body & Nut
 Center Contact
 Insulator

Material

Brass
 BeCu
 PTFE

Plating

White Bronze
 Gold