

PART NUMBER

**KAD187293**

REV.

DATE

COMMENTS

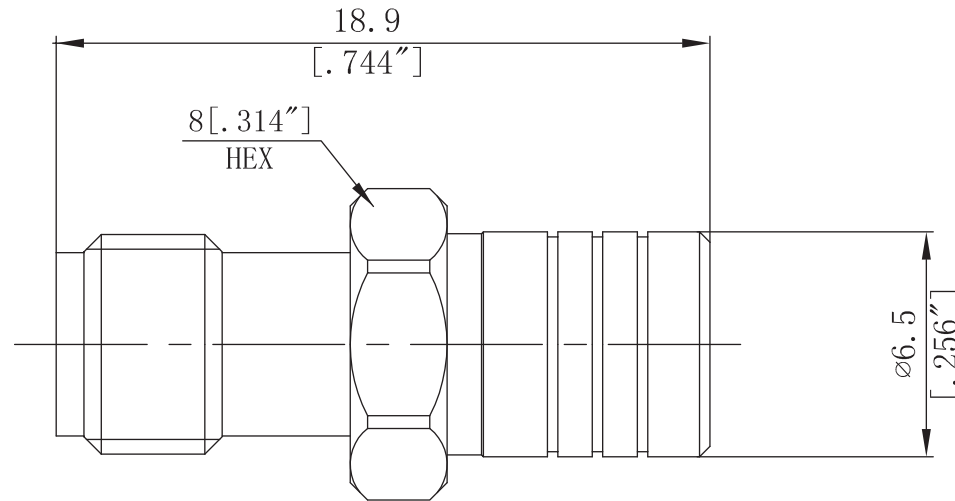
INITIAL

**RoHS Compliant****Electrical Data**

Impedance 50  $\Omega$   
 Frequency Range DC - 6 GHz.  
 Insertion Loss 0.2dB @ 6GHz  
 Insulation Resistance 5,000 M $\Omega$  min  
 Dielectric Withstanding Voltage 1,000V Max At Sea Level  
 VSWR  $\leq$  1.25@ 6GHz

**Mechanical Data**

Temperature Range: -55 °C - 165 °C



Drawing not to scale. Dimensions for reference only

Units: mm (Inches)

**Konnect RF**

WWW.KONNECTRF.COM  
 1-800-790-5887

PART NUMBER

**KAD187293**

DESCRIPTION

**Adapter, Between Series, SMA Female Jack to SMB Female Plug**

CAGE CODE

**664U0**

SIGNATURE

X

THIS DRAWING INCLUDING THE  
 DESIGNS IS THE PROPERTY OF  
 KONNECT RF AND IS NOT TO  
 BE USED FOR ANY PURPOSE  
 WITHOUT OUR APPROVAL.

**Component**

Body  
 Center Contact  
 Insulator

**Material**

Brass  
 BeCu  
 PTFE

**Plating**

Gold  
 Gold