

PART NUMBER

KAD187229

REV.

DATE

COMMENTS

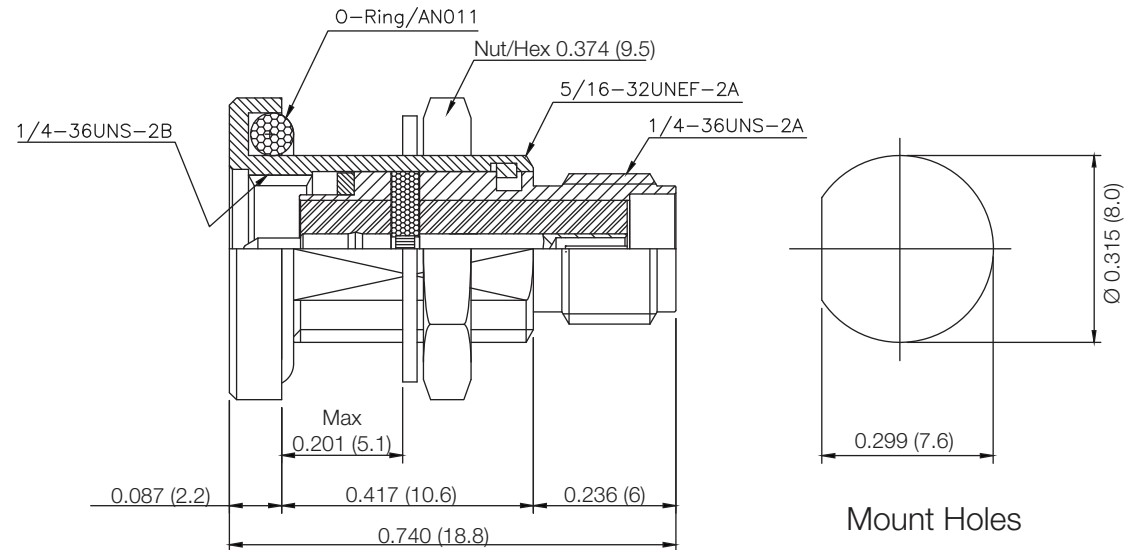
INITIAL

Electrical Data

Impedance	50 Ω
Frequency Range	DC - 18 GHz.
Insertion Loss	0.5dB Max
Contact Resistance	< 3m Ω
Power Handling	1 Watt (Average)
Working Voltage	335 VRMS max
Insulation Resistance	5,000 M Ω min
Dielectric Withstanding Voltage	1,000V min
VSWR	1.25 @ 12.4

Mechanical Data

Durability	500 Cycles Min.
Temperature Range:	-65 °C - 165 °C
Waterproof Rating	IP67

RoHS Compliant

Drawing not to scale. Dimensions for reference only

Units: inches (mm)

Konnect RF

WWW.KONNECTRF.COM
1-800-790-5887

PART NUMBER

KAD187229

DESCRIPTION

Adapter, In-Series, SMA Male Plug to Female Jack Bulkhead

CAGE CODE

664U0

SIGNATURE

X

THIS DRAWING INCLUDING THE
DESIGNS IS THE PROPERTY OF
KONNECT RF AND IS NOT TO
BE USED FOR ANY PURPOSE
WITHOUT OUR APPROVAL.

Component

Body, Nut & Washer
Center Contact
Insulator
O-Ring

Material

Brass
BeCu
PTFE
Silicone Rubber

Plating

Gold
Gold