

PART NUMBER

KAD187123

REV.

DATE

COMMENTS

INITIAL

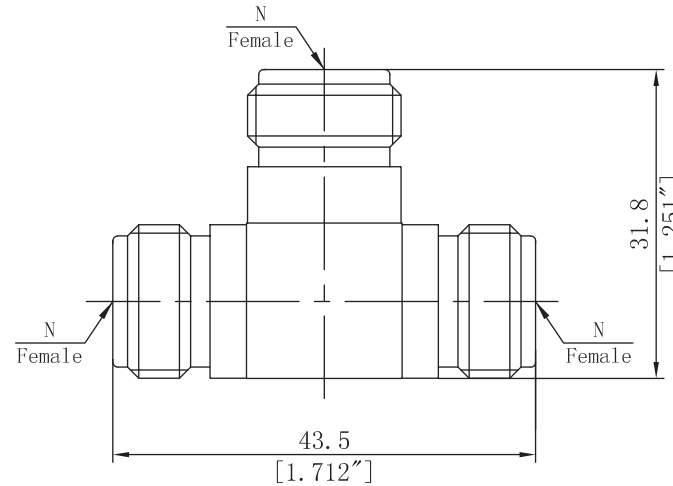
Electrical Data

Impedance 50 Ω
 Frequency Range DC - 6 GHz.
 Insulation Resistance 5000 M Ω
 Dielectric Withstanding Voltage 1000V Max At Sea Level

RoHS Compliant

Mechanical Data

Temperature Range: -55°C - 165 °C



Drawing not to scale. Dimensions for reference only

Units: mm (inches)

Konnect RF

WWW.KONNECTRF.COM
 1-800-790-5887

PART NUMBER

KAD187123

DESCRIPTION

Adapter, T-Type, N Female Jack to Female Jack to Female Jack

CAGE CODE

664U0

SIGNATURE

X

THIS DRAWING INCLUDING THE
 DESIGNS IS THE PROPERTY OF
 KONNECT RF AND IS NOT TO
 BE USED FOR ANY PURPOSE
 WITHOUT OUR APPROVAL.

Component

Body
 Center Contact
 Insulator

Material

Brass
 Phos.Bronze
 PTFE

Plating

Nickel
 Gold