

PART NUMBER

KAD179952

REV.

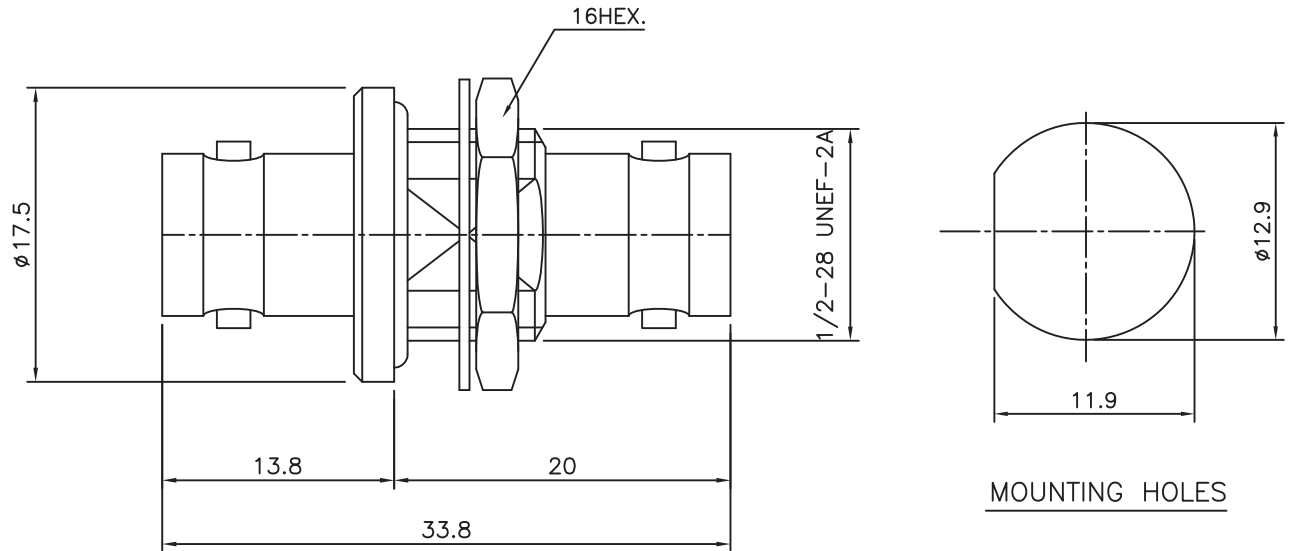
INITIAL

Electrical Data

Impedance 50 Ω
 Frequency Range DC-4 GHz
 VSWR 1.20:1 Max

Mechanical Data

Water Proof IP67

RoHS Compliant

Drawing not to scale. Dimensions for reference only

Units: mm

Konnect RF

WWW.KONNECTRF.COM
 1-800-790-5887

PART NUMBER

KAD179952

DESCRIPTION

Adapter, In Series, BNC Female Jack to Female Jack, Bulkhead, Silicone O-Ring Seal

CAGE CODE

664U0

SIGNATURE

X

THIS DRAWING INCLUDING THE DESIGNS IS THE PROPERTY OF KONNECT RF AND IS NOT TO BE USED FOR ANY PURPOSE WITHOUT OUR APPROVAL.

Component

Body
 Center Contact
 Nut & Washer
 O-Ring
 Insulator

Material

Brass
 Be.Cu
 Brass
 Silicone Rubber
 PTFE

Plating

Nickel
 Gold
 Nickel