

PART NUMBER

**KAD179940**

REV.

DATE

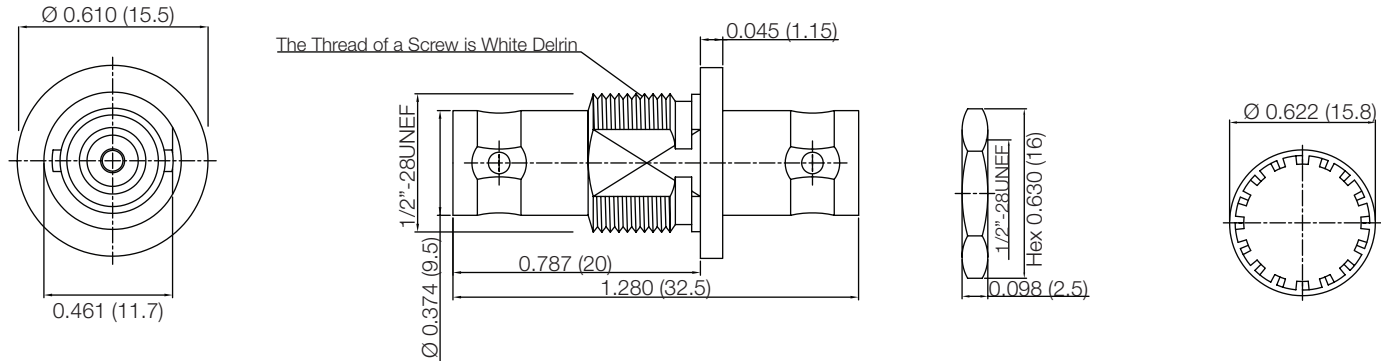
COMMENTS

INITIAL

**Electrical Data**

RoHS Compliant

Impedance 50 Ω



Drawing not to scale. Dimensions for reference only

Units: inches (mm)

**Konnect RF**WWW.KONNECTRF.COM  
1-800-790-5887

PART NUMBER

**KAD179940**

DESCRIPTION

**Adapter, In Series, BNC Female Jack to  
Female Jack, Bulkhead, Isolated Ground**

CAGE CODE

**664U0**

SIGNATURE

X

THIS DRAWING INCLUDING THE  
DESIGNS IS THE PROPERTY OF  
KONNECT RF AND IS NOT TO  
BE USED FOR ANY PURPOSE  
WITHOUT OUR APPROVAL.**Component**Body, Nut, & Washer  
Center Contact  
Insulator  
Thread of a Screw**Material**Brass  
Brass  
PTFE  
White Delrin**Plating**Nickel  
Gold