

PART NUMBER

**KAD179886**

REV.

DATE

COMMENTS

INITIAL

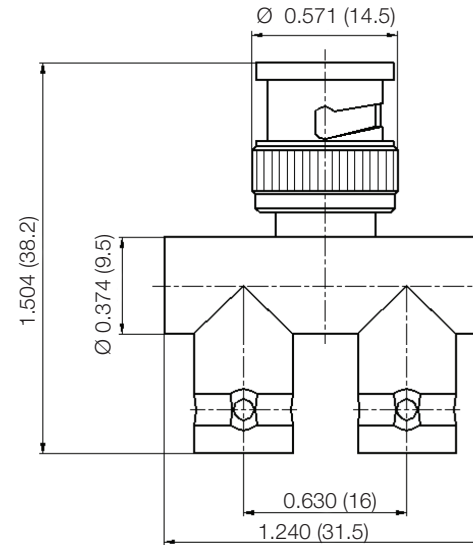
**RoHS Compliant****Electrical Data**

Impedance 50  $\Omega$   
 Frequency Range DC - 3 GHz.

Contact Resistance  
 Center  $\leq 1.5 \text{ m}\Omega$   
 Outer  $\leq 1 \text{ m}\Omega$   
 Dielectric Resistance  $\geq 5,000 \text{ M}\Omega$   
 Dielectric Withstanding Voltage 1,500V RMS, 50 Hz, at sea level  
 VSWR  $\leq 1.2$

**Mechanical Data**

Durability  $\geq 500$  Cycles Min.  
 Temperature Range: -40  $^{\circ}\text{C}$  - 85  $^{\circ}\text{C}$



Drawing not to scale. Dimensions for reference only

Units: inches (mm)

**Konnect RF**

WWW.KONNECTRF.COM  
 1-800-790-5887

PART NUMBER

**KAD179886**

DESCRIPTION

**Adapter, T-Type, BNC Male Plug to Female Jack to Female Jack**

CAGE CODE

**664U0**

SIGNATURE

X

THIS DRAWING INCLUDING THE  
 DESIGNS IS THE PROPERTY OF  
 KONNECT RF AND IS NOT TO  
 BE USED FOR ANY PURPOSE  
 WITHOUT OUR APPROVAL.

**Component**

Body  
 Center Contact  
 Insulator

**Material**

Brass  
 Brass  
 PTFE

**Plating**

Nickel  
 Gold