

PART NUMBER

KAD179645

REV.

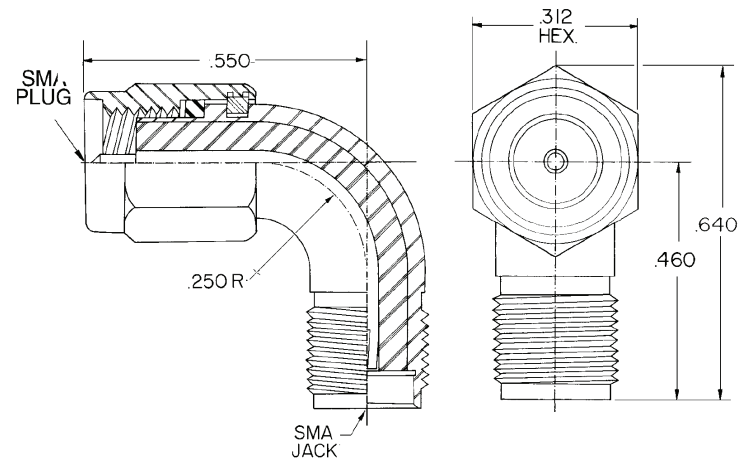
DATE

COMMENTS

INITIAL

Electrical Data

Impedance 50 Ω
 Frequency Range DC - 18 GHz.
 VSWR 1.3 @ DC-18 GHz

RoHS Compliant

Drawing not to scale. Dimensions for reference only

Units: inches

Konnect RF

WWW.KONNECTRF.COM
 1-800-790-5887

PART NUMBER

KAD179645

DESCRIPTION

Adapter, In-Series, Right Angle SMA Male Plug to Female Jack

CAGE CODE

664U0

SIGNATURE

X

THIS DRAWING INCLUDING THE
 DESIGNS IS THE PROPERTY OF
 KONNECT RF AND IS NOT TO
 BE USED FOR ANY PURPOSE
 WITHOUT OUR APPROVAL.

Component
 Body & Coupling Nut

Center Contact
 Insulator

Material
 Stainless Steel per QQ-S-764
 TYPE 303
 BeCu PER QQ-C-530
 PTFE PER MIL-P-19468A

Plating/Finish
 Passivated PER QQ-P-35

Gold PER MIL-G-45204: Type II
 Class 2, over Copper per MIL-C-
 14550, Class 4