

PART NUMBER

KAD179458

REV.

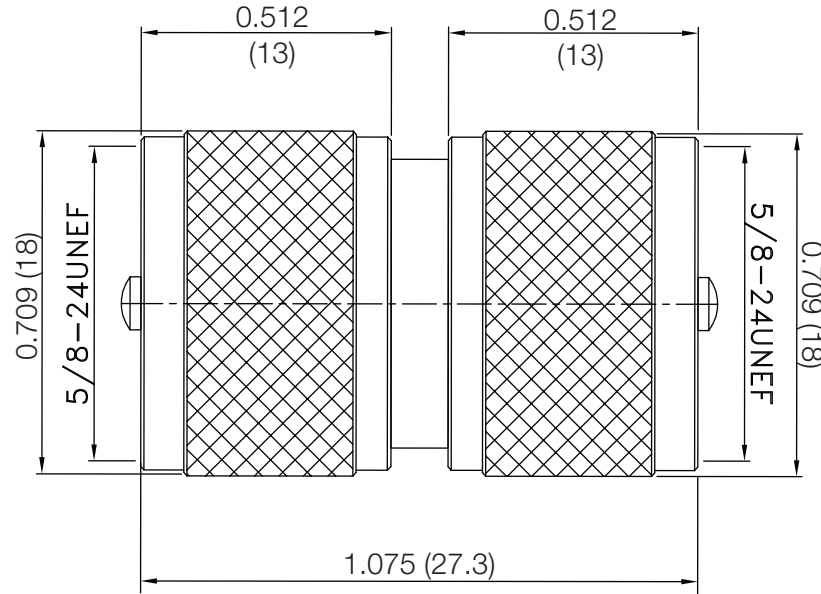
DATE

COMMENTS

INITIAL

Electrical DataImpedance 50 Ω

RoHS Compliant



Drawing not to scale. Dimensions for reference only

Units: inches (mm)

WWW.KONNECTRF.COM
1-800-790-5887

PART NUMBER

KAD179458

DESCRIPTION

Adapter, In-Series, UHF Straight Male Plug to Male Plug, (Delrin Insulator)

CAGE CODE

664U0

SIGNATURE

X

Component

Body, Shell
Pin
Dielectric

Material

Brass
Brass
Derlin

Plating

Nickel
Nickel

THIS DRAWING INCLUDING THE DESIGNS IS THE PROPERTY OF KONNECT RF AND IS NOT TO BE USED FOR ANY PURPOSE WITHOUT OUR APPROVAL.