

PART NUMBER

KAD179373

REV.

DATE

COMMENTS

INITIAL

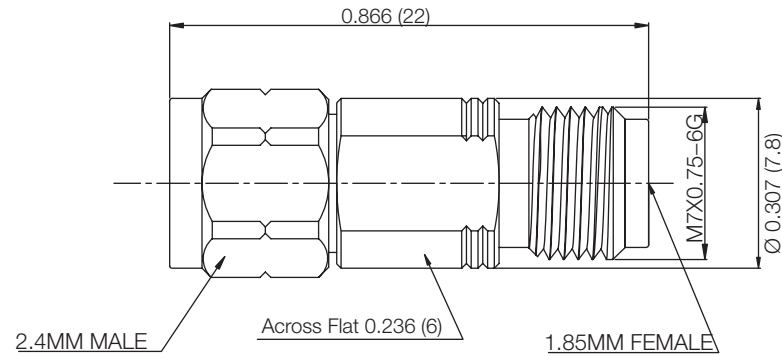
Electrical Data

Impedance 50 Ω
 Frequency Range DC - 50 GHz.
 VSWR 1.25

Mechanical Data

Temperature Range: -55 °C - 125 °C

RoHS Compliant



Drawing not to scale. Dimensions for reference only

Units: inches (mm)

Konnect RF

WWW.KONNECTRF.COM
 1-800-790-5887

PART NUMBER

KAD179373

DESCRIPTION

**Precision Adapter, Between Series, 2.4mm
 Male Plug to 1.85mm Female Jack**

CAGE CODE

664U0

SIGNATURE

X

THIS DRAWING INCLUDING THE
 DESIGNS IS THE PROPERTY OF
 KONNECT RF AND IS NOT TO
 BE USED FOR ANY PURPOSE
 WITHOUT OUR APPROVAL.

Component

Body
 Center Contact
 Insulator

Material

Stainless Steel
 BeCu
 PEI

Plating/Finish

Passivated
 Gold