

PART NUMBER

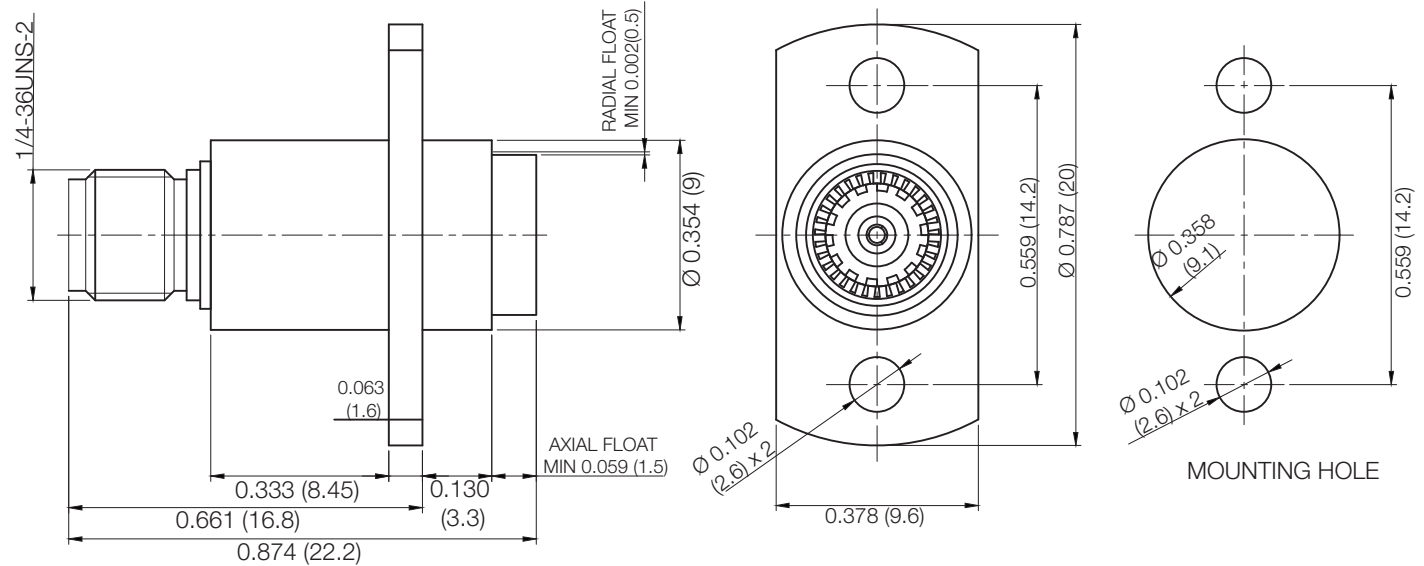
**KAD179343**

REV.

DATE

COMMENTS

INITIAL

**Electrical Data**Impedance  
VSWR50 Ω  
1.15 @ 1 Max up to 18 GHz**RoHS Compliant**

Drawing not to scale. Dimensions for reference only

Units: inches (mm)

**Konnnect RF**WWW.KONNECTRF.COM  
1-800-790-5887

PART NUMBER

**KAD179343**

DESCRIPTION

**Adapter, Between Series, BMA Female Plug  
to SMA Female Jack, 2 Hole Flange Float Mount**

CAGE CODE

**664U0**

SIGNATURE

X

THIS DRAWING INCLUDING THE  
DESIGNS IS THE PROPERTY OF  
KONNECT RF AND IS NOT TO  
BE USED FOR ANY PURPOSE  
WITHOUT OUR APPROVAL.**Component**Body  
Center Contact  
Spring  
Insulator**Material**Stainless Steel  
BeCu  
BeCu  
PTFE**Plating/Finish**Passivated  
Gold  
Gold