

PART NUMBER

KAD179334

REV.

DATE

COMMENTS

INITIAL

Electrical Data

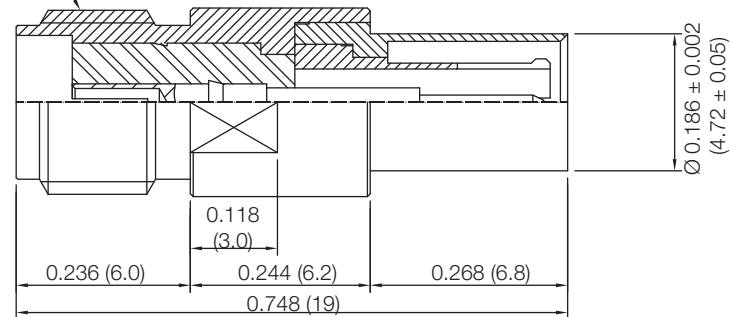
Impedance	50 Ω
Frequency Range	DC-10 GHz
Voltage Rating	250 VRMS
Contact Resistance	
Center	6 m Ω
Outer	3 m Ω

Mechanical Data

Temperature Range: -40 °C - 155 °C

RoHS Compliant

1/4-36UNS-2A



Drawing not to scale. Dimensions for reference only

Units: inches (mm)

Konnect RFWWW.KONNECTRF.COM
1-800-790-5887

PART NUMBER

KAD179334

DESCRIPTION

**Adapter, Between Series, SMA Female
Jack to 1.0/2.3 DIN Male Plug**

CAGE CODE

664U0

SIGNATURE

X

THIS DRAWING INCLUDING THE
DESIGNS IS THE PROPERTY OF
KONNECT RF AND IS NOT TO
BE USED FOR ANY PURPOSE
WITHOUT OUR APPROVAL.**Component**Body
Outer Contact
Center Contact
Insulator**Material**Brass
BeCu
BeCu
PTFE**Plating**Gold
Gold
Gold