

PART NUMBER

KAD179325

REV.

DATE

COMMENTS

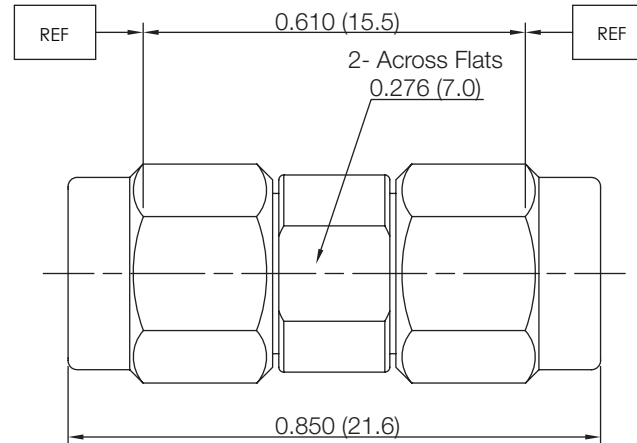
INITIAL

RoHS Compliant**Electrical Data**

Impedance 50 Ω
 Frequency Range DC - 40 GHz.
 VSWR 1.15 Max @ 40 GHz

Mechanical Data

Durability 1,000 Cycles Min.
 Temperature Range: -65 °C - 165 °C



Drawing not to scale. Dimensions for reference only

Units: inches (mm)

Konnect RF

WWW.KONNECTRF.COM
 1-800-790-5887

PART NUMBER

KAD179325

DESCRIPTION

Adapter, In-Series, 3.5mm Male Plug to Male Plug

CAGE CODE

664U0

SIGNATURE

X

THIS DRAWING INCLUDING THE
 DESIGNS IS THE PROPERTY OF
 KONNECT RF AND IS NOT TO
 BE USED FOR ANY PURPOSE
 WITHOUT OUR APPROVAL.

Component

Body
 Center Contact
 Insulator

Material

Stainless Steel
 BeCu
 PEI

Plating/Finish

Passivated
 Gold