

PART NUMBER

KAD179302

REV.

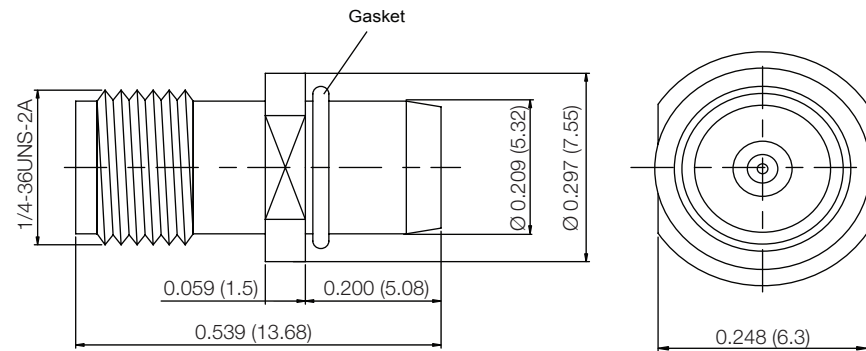
DATE

COMMENTS

INITIAL

RoHS Compliant**Electrical Data**

Impedance	50 Ω
Frequency Range	DC - 18 GHz
Typical VSWR	≤ 1.04 @ 1-2 Ghz
	≤ 1.06 @ 3-7 Ghz
	≤ 1.09 @ 8 Ghz
	≤ 1.12 @ 9-10 Ghz
	≤ 1.14 @ 11 Ghz
	≤ 1.23 @ 12-14 Ghz
	≤ 1.26 @ 15 Ghz
	≤ 1.41 @ 16 Ghz
	≤ 1.44 @ 17-18 Ghz



Drawing not to scale. Dimensions for reference only

Units: inches (mm)

Konnect RF

WWW.KONNECTRF.COM
1-800-790-5887

PART NUMBER

KAD179302

DESCRIPTION

Adapter, Between Series, SMA Female Jack to BMA Male Jack

CAGE CODE

664U0

SIGNATURE

X

THIS DRAWING INCLUDING THE DESIGNS IS THE PROPERTY OF KONNECT RF AND IS NOT TO BE USED FOR ANY PURPOSE WITHOUT OUR APPROVAL.

Component

Body
Center Contact
Insulator

Material

Stainless Steel
BeCu
PTFE

Plating/Finish

Passivated
Gold over Nickel