

PART NUMBER

KAD179293

REV.

DATE

COMMENTS

INITIAL

A

11/3/2020

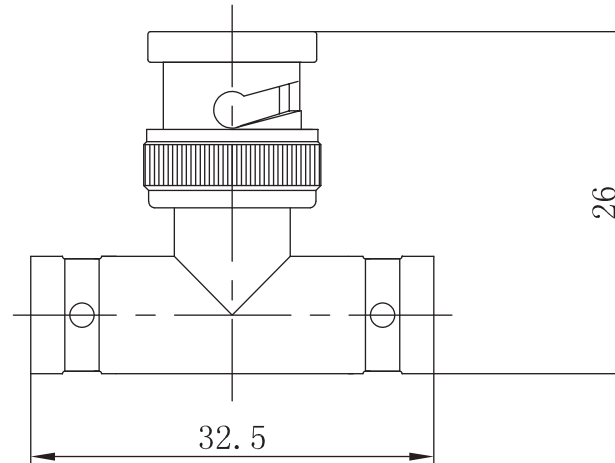
Changed Plating and Electrical Specs

Electrical Data

Impedance 50 Ω
 Frequency Range DC - 3 GHz.
 Insulation Resistance 5,000 M Ω min
 Dielectric Withstanding Voltage 1,000 V Max @ Sea Level

RoHS Compliant**Mechanical Data**

Temperature Range: -45 °C - 85 °C



Drawing not to scale. Dimensions for reference only

Units: mm

Konnect RF

WWW.KONNECTRF.COM
 1-800-790-5887

PART NUMBER

KAD179293

DESCRIPTION

Adapter, T-Type, BNC Male Plug to Female Jack to Female Jack

CAGE CODE

664U0

SIGNATURE

X

THIS DRAWING INCLUDING THE
 DESIGNS IS THE PROPERTY OF
 KONNECT RF AND IS NOT TO
 BE USED FOR ANY PURPOSE
 WITHOUT OUR APPROVAL.

Component

Body & Nut
 Center Contact
 Insulator

Material

Brass
 Phos. Bronze
 PTFE

Plating

White Bronze
 Gold