

PART NUMBER

KAD179249

REV.

DATE

COMMENTS

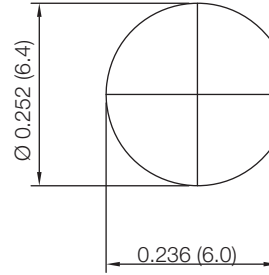
INITIAL

Electrical Data

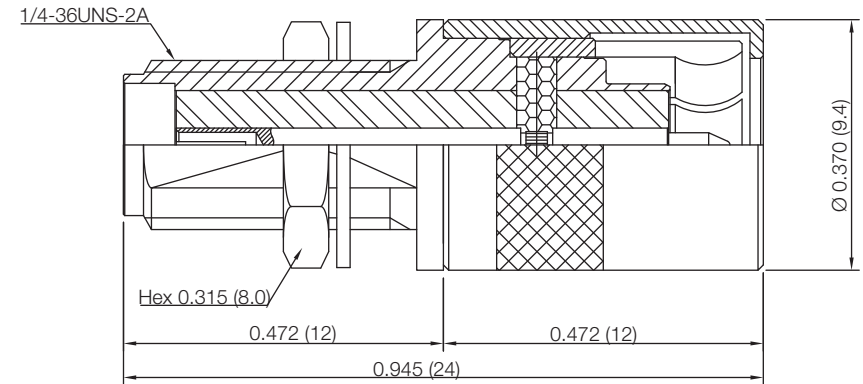
Impedance	50 Ω
Frequency Range	DC - 18 GHz.
Working Voltage	500 VRMS
Contact Resistance	$\leq 3 \text{ m}\Omega$
Insulation Resistance	$\geq 5,000 \text{ M}\Omega \text{ Min}$
Dielectric Withstanding Voltage	1,000 VRMS
VSWR	$\leq 1.10 \text{ @ DC-12 GHz}$ $\leq 1.35 \text{ @ 12-18 GHz}$

Mechanical Data

Durability	200 Cycles Min.
------------	-----------------



Mounting Hole



Drawing not to scale. Dimensions for reference only

Units: inches (mm)

RoHS Compliant**Konnect RF**

WWW.KONNECTRF.COM
1-800-790-5887

PART NUMBER

KAD179249

DESCRIPTION

**Adapter, In-Series, SMA Male Plug
Push On to Female Jack Bulkhead**

CAGE CODE

664U0

SIGNATURE

X

THIS DRAWING INCLUDING THE
DESIGNS IS THE PROPERTY OF
KONNECT RF AND IS NOT TO
BE USED FOR ANY PURPOSE
WITHOUT OUR APPROVAL.

Component

Body
Center Contact
Outer Contact
Insulator

Material

Brass
BeCu
BeCu
PTFE

Plating

Gold
Gold
Gold