

PART NUMBER

KAD179222

REV.

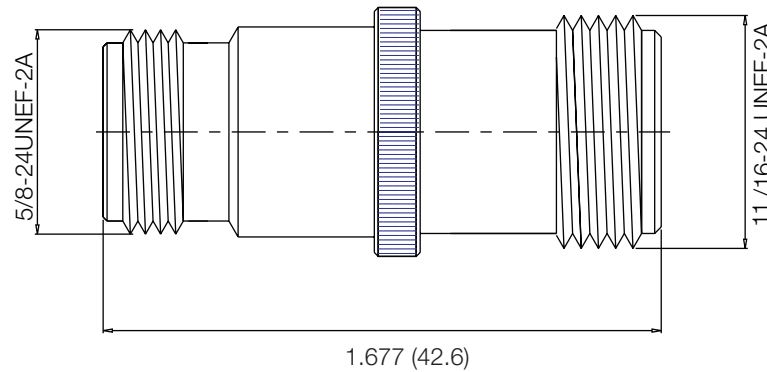
DATE

COMMENTS

INITIAL

Electrical Data

Impedance 50 Ω
 Frequency Range DC - 12 GHz.
 Typical VSWR ≤ 1.24

RoHS Compliant

Drawing not to scale. Dimensions for reference only

Units: inches (mm)

Konnect RF

WWW.KONNECTRF.COM
 1-800-790-5887

PART NUMBER

KAD179222

DESCRIPTION

Adapter, Between Series, SC Female Jack to N Female Jack

CAGE CODE

664U0

SIGNATURE

X

THIS DRAWING INCLUDING THE
 DESIGNS IS THE PROPERTY OF
 KONNECT RF AND IS NOT TO
 BE USED FOR ANY PURPOSE
 WITHOUT OUR APPROVAL.

Component

Body
 N Center Contact
 SC Center Contact
 Insulator

Material

Brass
 BeCu
 BeCu
 PTFE

Plating

White Bronze
 Gold over Nickel
 Gold over Nickel