

PART NUMBER

KAD179221

REV.

DATE

COMMENTS

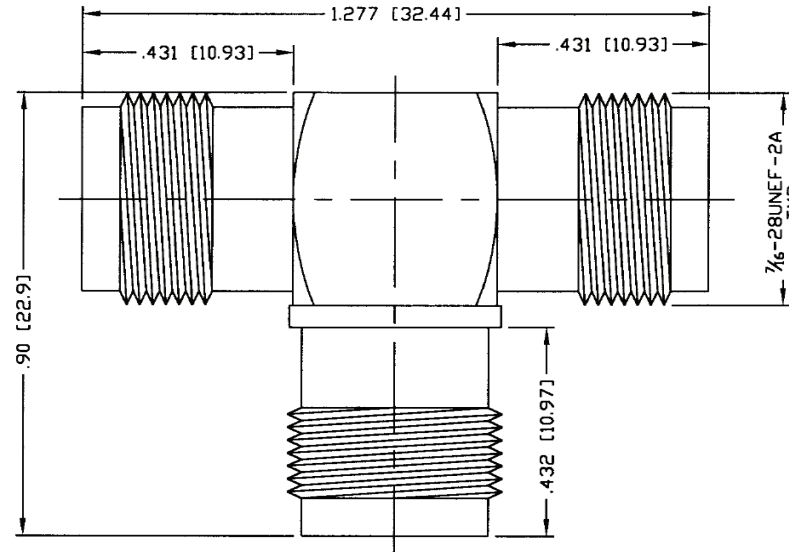
INITIAL

Electrical Data

Impedance 50 Ω
 Frequency Range DC - 7 GHz.
 Working Voltage 500 VRMS @ Sea Level
 Insulation Resistance $\geq 5,000 M\Omega$

Mechanical Data

Temperature Range: -65°C - 165 °C

RoHS Compliant

Drawing not to scale. Dimensions for reference only

Units: inches (mm)

Konnect RF

WWW.KONNECTRF.COM
 1-800-790-5887

PART NUMBER

KAD179221

DESCRIPTION

Adapter, T-Type, TNC Female Jack to Female Jack to Female Jack

CAGE CODE

664U0

SIGNATURE

X

THIS DRAWING INCLUDING THE
 DESIGNS IS THE PROPERTY OF
 KONNECT RF AND IS NOT TO
 BE USED FOR ANY PURPOSE
 WITHOUT OUR APPROVAL.

Component
 Body
 Center Contact
 Insulator

Material
 Brass
 Brass
 PTFE

Plating
 Nickel
 Gold