

PART NUMBER

**KAD179135**

REV.

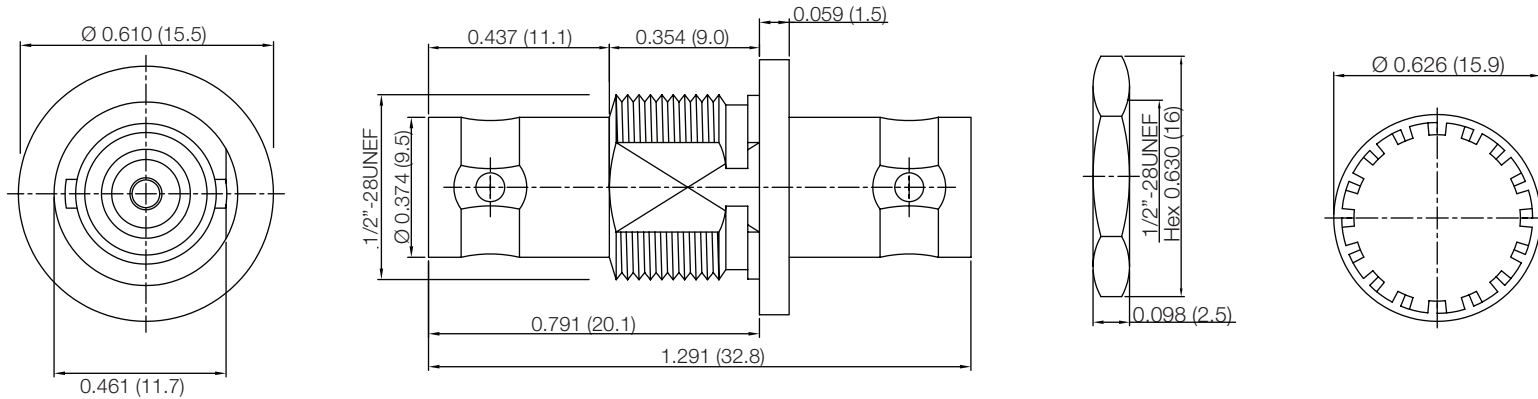
DATE

COMMENTS

INITIAL

**Electrical Data**

Impedance 50 Ω

**RoHS Compliant**

Drawing not to scale. Dimensions for reference only

Units: inches (mm)

**Konnect RF**WWW.KONNECTRF.COM  
1-800-790-5887

PART NUMBER

**KAD179135**

DESCRIPTION

**Adapter, In Series, BNC Female Jack to Female Jack, Bulkhead**

CAGE CODE

**664U0**

SIGNATURE

X

THIS DRAWING INCLUDING THE DESIGNS IS THE PROPERTY OF KONNECT RF AND IS NOT TO BE USED FOR ANY PURPOSE WITHOUT OUR APPROVAL.

**Component**

Body, Nut, & Washer  
Contact Pin  
Insulator

**Material**

Brass  
Brass  
Delrin

**Plating**

Nickel  
Silver