

PART NUMBER

KAD179106

REV.

DATE

COMMENTS

INITIAL

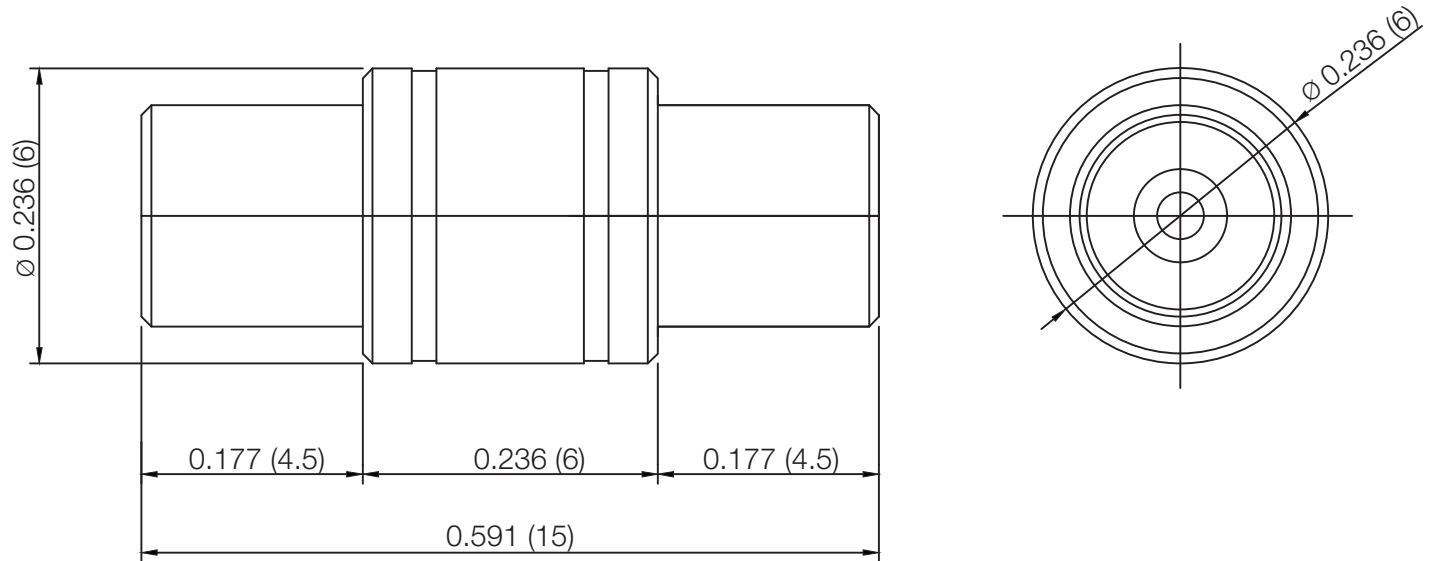
Electrical Data

Impedance 50 Ω
 Frequency Range DC - 6 GHz.
 Working Voltage 335 VRMS
 Contact Current DC 1.5 A max
 VSWR ≤ 1.30

Mechanical Data

Temperature Range: -45 °C - 125 °C

RoHS Compliant



Drawing not to scale. Dimensions for reference only

Units: inches (mm)

Konnect RF

WWW.KONNECTRF.COM
 1-800-790-5887

PART NUMBER

KAD179106

DESCRIPTION

Adapter, In Series, MCX Female Jack to Female Jack

CAGE CODE

664U0

SIGNATURE

X

THIS DRAWING INCLUDING THE
 DESIGNS IS THE PROPERTY OF
 KONNECT RF AND IS NOT TO
 BE USED FOR ANY PURPOSE
 WITHOUT OUR APPROVAL.

Component

Body
 Center Contact
 Outer Contact
 Insulator

Material

Brass
 Brass
 BeCu
 PTFE

Plating

Gold
 Gold
 Gold