

PART NUMBER

KAD179091

REV.

DATE

COMMENTS

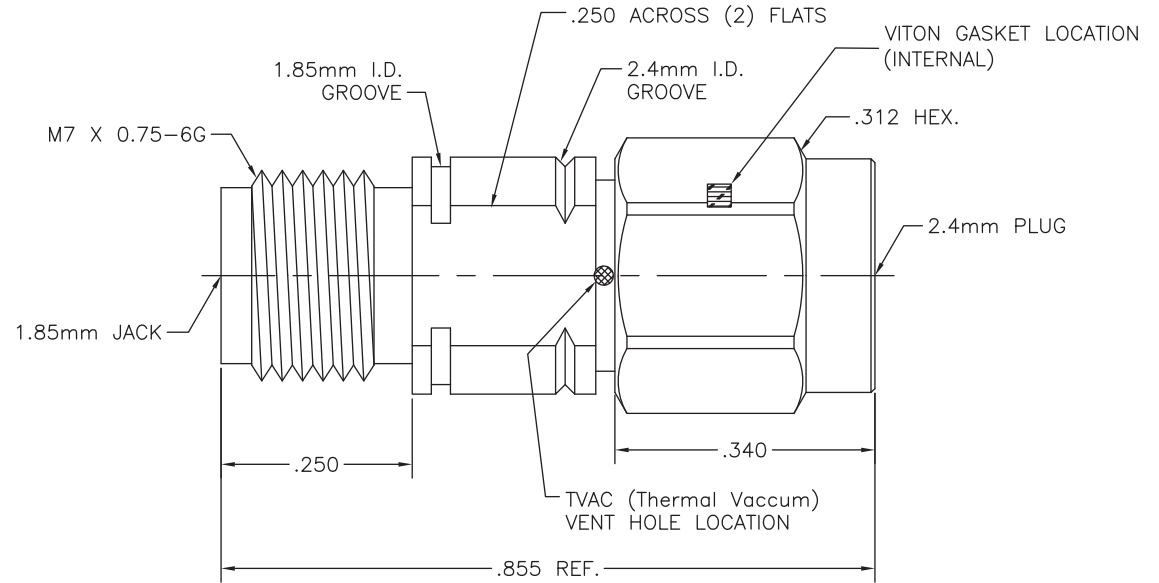
INITIAL

Electrical Data

Impedance 50 Ω
 Frequency Range DC-50 GHz
 VSWR 1.30 @ DC-50 GHz

Mechanical Data

Temperature Range: -240 °C - 204 °C

RoHS Compliant

Drawing not to scale. Dimensions for reference only

Units: inches

Konnect RF

WWW.KONNECTRF.COM
 1-800-790-5887

PART NUMBER

KAD179091

DESCRIPTION

Adapter, Between Series, 2.4mm Male Plug to 1.85mm Female Jack

CAGE CODE

664U0

SIGNATURE

X

THIS DRAWING INCLUDING THE
 DESIGNS IS THE PROPERTY OF
 KONNECT RF AND IS NOT TO
 BE USED FOR ANY PURPOSE
 WITHOUT OUR APPROVAL.

Component

Body & Coupling Nut
 Outer Conductor
 Center Contact
 Insulator
 Gasket

Material

Stainless Steel
 Stainless Steel
 BeCu
 PCTFE/KEL-F
 Viton Rubber

Plating/Finish

Passivated
 Passivated
 Gold