

PART NUMBER

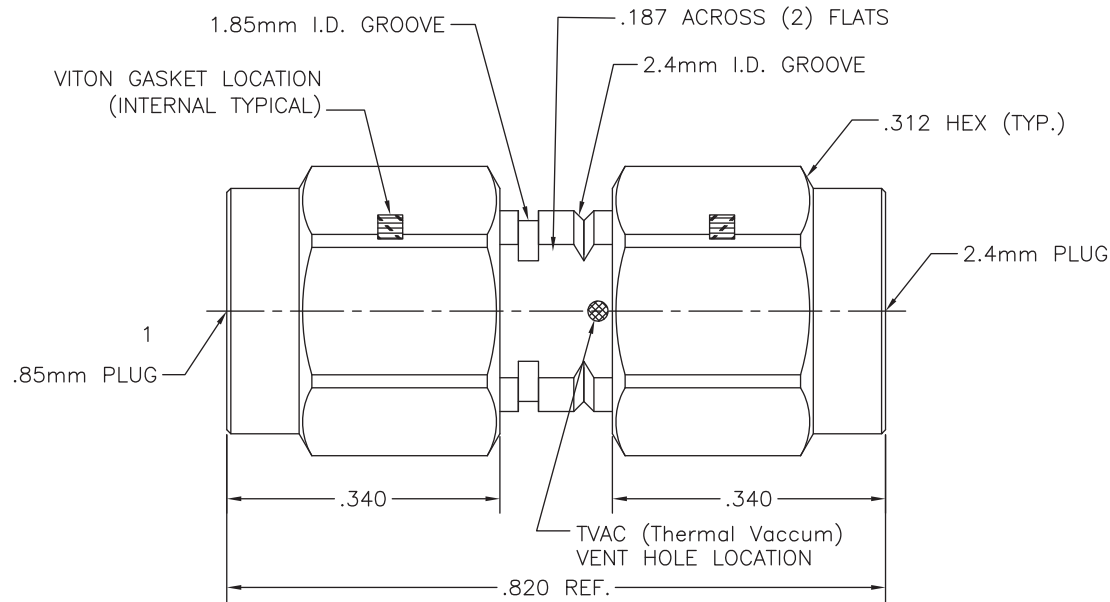
**KAD179086**

REV.

DATE

COMMENTS

INITIAL

**Electrical Data**Impedance 50  $\Omega$ **RoHS Compliant**

Drawing not to scale. Dimensions for reference only

Units: inches

**Konnect RF**WWW.KONNECTRF.COM  
1-800-790-5887

PART NUMBER

**KAD179086**

DESCRIPTION

**Adapter, Between Series, 2.4mm Male Plug to 1.85mm Male Plug**

CAGE CODE

**664U0**

SIGNATURE

X

THIS DRAWING INCLUDING THE  
DESIGNS IS THE PROPERTY OF  
KONNECT RF AND IS NOT TO  
BE USED FOR ANY PURPOSE  
WITHOUT OUR APPROVAL.**Component**Body & Coupling Nut  
Outer Conductor  
Center Contact  
Insulator  
Gasket**Material**Stainless Steel  
Stainless Steel  
BeCu  
PCTFE/KEL-F  
Viton Rubber**Plating/Finish**Passivated  
Passivated  
Gold