

PART NUMBER

KAD178984

REV.

DATE

COMMENTS

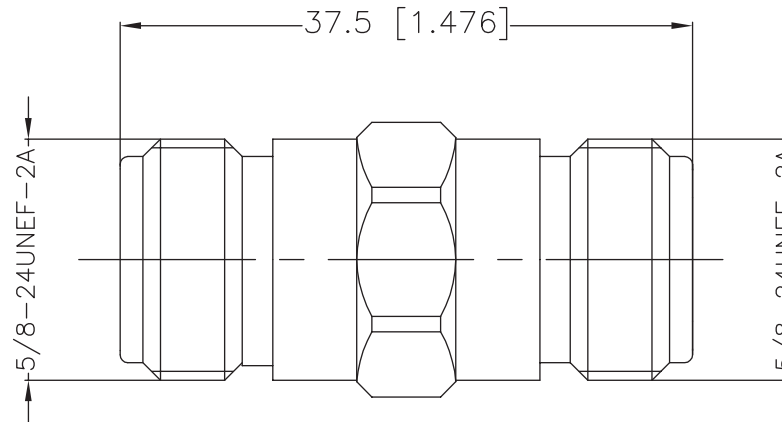
INITIAL

Electrical Data

Impedance	50 Ω
Frequency Range	DC - 18 GHz.
Insulation Resistance	5,000 M Ω min.
Dielectric Withstanding Voltage	1,000 VRMS Max @ Sea Level
VSWR	$\leq 1.20@18\text{GHz}$
Insertion Loss	$\leq 0.3\text{dB @ }18\text{GHz}$
Power Handling	2W min

Mechanical Data

Temperature Range:	-55 $^{\circ}\text{C}$ - 165 $^{\circ}\text{C}$
Durability	500Cycles

RoHS Compliant

Drawing not to scale. Dimensions for reference only

Units: mm (Inches)

Konnect RF

WWW.KONNECTRF.COM
1-800-790-5887

PART NUMBER

KAD178984

DESCRIPTION

Adapter, In-Series, N Female Jack, Female Jack

CAGE CODE

664U0

SIGNATURE

X

THIS DRAWING INCLUDING THE
DESIGNS IS THE PROPERTY OF
KONNECT RF AND IS NOT TO
BE USED FOR ANY PURPOSE
WITHOUT OUR APPROVAL.

Component

Body & Nut
Center Contact
Dielectric

Material

Stainless Steel
BeCu
PEI

Plating/Finish

Passivated
Gold