

PART NUMBER

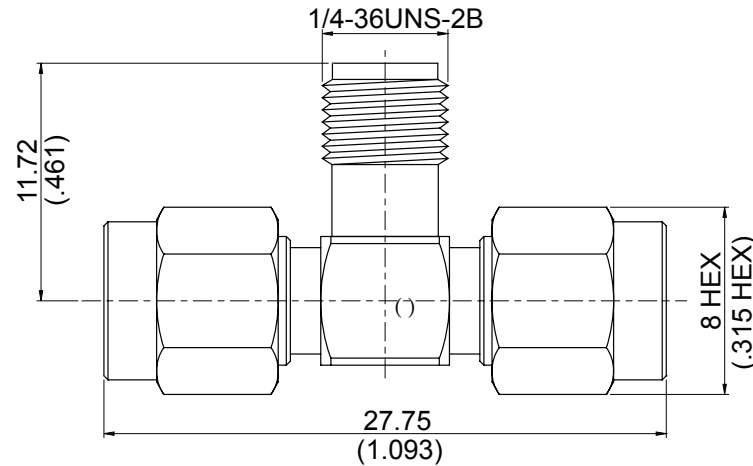
KAD178960

REV.

DATE

COMMENTS

INITIAL

Electrical DataImpedance 50 Ω **RoHS Compliant**

Drawing not to scale. Dimensions for reference only

Units: mm (Inches)

Konnect RFWWW.KONNECTRF.COM
1-800-790-5887

PART NUMBER

KAD178960

DESCRIPTION

Adapter, T-Type, SMA Male Plug to Female Jack to Male Plug

CAGE CODE

664U0

SIGNATURE

X

THIS DRAWING INCLUDING THE DESIGNS IS THE PROPERTY OF KONNECT RF AND IS NOT TO BE USED FOR ANY PURPOSE WITHOUT OUR APPROVAL.

Component

Body & Coupling Nut
Center Contact (Plug)
Center Contact (Jack)
Gasket
Insulator

Material

Gold
Gold
BeCu
Silicone
PTFE

Plating

Brass
Brass
Gold