

PART NUMBER

**KAD178915**

REV.

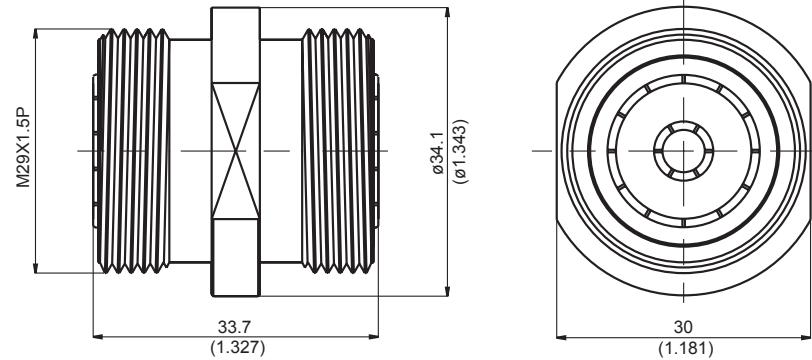
DATE

COMMENTS

INITIAL

**Electrical Data**

Impedance	50 $\Omega$
Frequency Range	DC - 8 GHz.
VSWR	1.18

**RoHS Compliant**

Drawing not to scale. Dimensions for reference only

Units: mm (inches)

**Konnect RF**

WWW.KONNECTRF.COM  
1-800-790-5887

PART NUMBER

**KAD178915**

DESCRIPTION

**Adapter, In-Series, 7/16 DIN Female Jack to Female Jack**

CAGE CODE

**664U0**

SIGNATURE

X

THIS DRAWING INCLUDING THE  
DESIGNS IS THE PROPERTY OF  
KONNECT RF AND IS NOT TO  
BE USED FOR ANY PURPOSE  
WITHOUT OUR APPROVAL.

**Component**

Body  
Center Contact  
Insulator

**Material**

Brass  
Phos. Bronze  
PTFE

**Plating**

White Bronze  
Silver