

PART NUMBER

KAD178883

REV.

DATE

COMMENTS

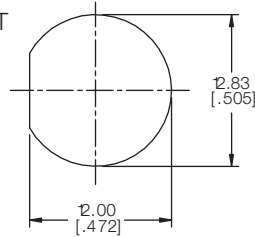
INITIAL

Electrical Data

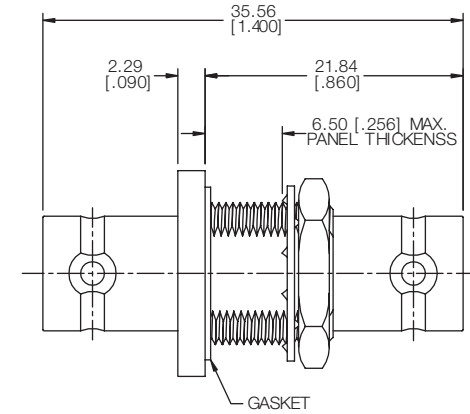
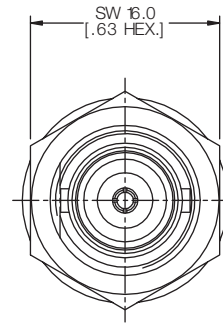
Impedance 50 Ω
 Frequency Range DC - 4 GHz.

Mechanical Data

Temperature Range: -55 °C - 125 °C
 Pressure Test: 30 PSI, 1 MIN.
 2011/65/EU(RoHS) AND 2015/863/(RoHS): COMPLIANT
 1907/2006/EC(REACH): COMPLIANT



Recommended
Mounting Hole

**RoHS Compliant**

Drawing not to scale. Dimensions for reference only

Units: mm (Inches)

Konnect RF

WWW.KONNECTRF.COM
 1-800-790-5887

PART NUMBER

KAD178883

DESCRIPTION

**Adapter, In Series, BNC Female Jack to
Female Jack, Bulkhead, O-Ring Seal**

CAGE CODE

664U0

SIGNATURE

X

THIS DRAWING INCLUDING THE
 DESIGNS IS THE PROPERTY OF
 KONNECT RF AND IS NOT TO
 BE USED FOR ANY PURPOSE
 WITHOUT OUR APPROVAL.

Component

Body
 Center Contact
 Lock Washer
 Fastening Nut
 Insulator
 Gasket

Material

Brass
 Phos. Bronze
 Phos. Bronze
 Brass
 PTFE
 Silicone Rubber

Plating

Nickel
 Gold
 Nickel
 Nickel