

PART NUMBER

**KAD178856**

REV.

DATE

COMMENTS

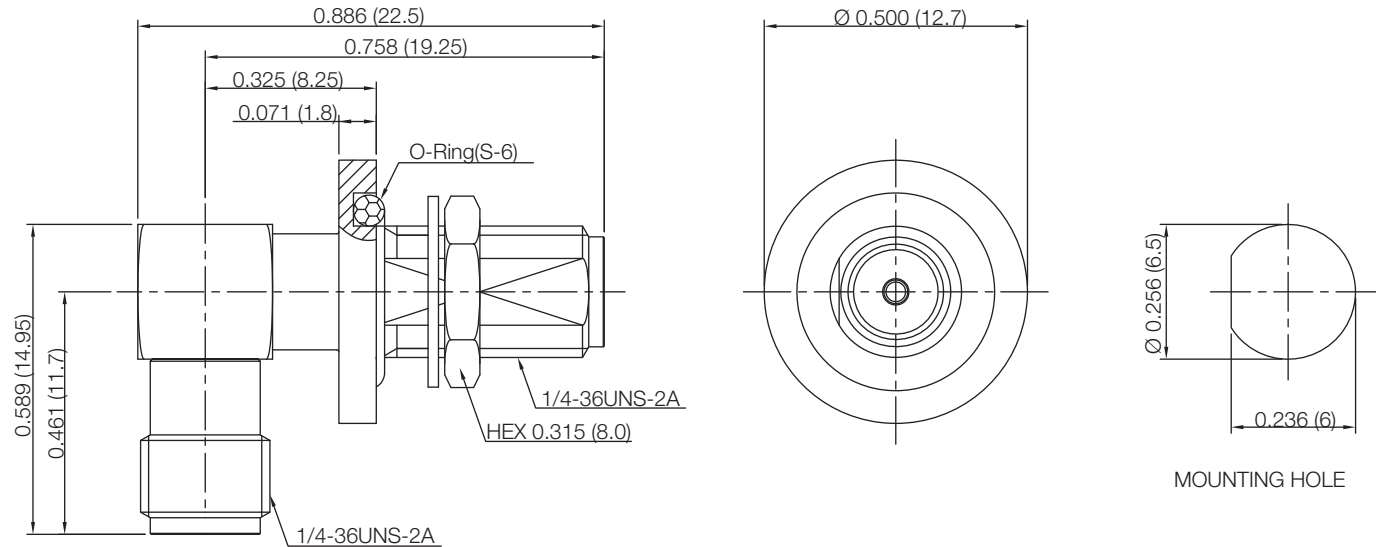
INITIAL

**Electrical Data**

Impedance 50  $\Omega$   
 Frequency Range DC - 12.4GHz  
 Working Voltage 500 Volts Max

**Mechanical Data**

Temperature Range: -40 °C - 145 °C

**RoHS Compliant**

Drawing not to scale. Dimensions for reference only

Units: inches (mm)

**Konnect RF**

WWW.KONNECTRF.COM  
 1-800-790-5887

PART NUMBER

**KAD178856**

DESCRIPTION

**Adapter, In-Series, SMA Right Angle  
 Female Bulkhead Jack to Female Jack**

CAGE CODE

**664U0**

SIGNATURE

X

THIS DRAWING INCLUDING THE  
 DESIGNS IS THE PROPERTY OF  
 KONNECT RF AND IS NOT TO  
 BE USED FOR ANY PURPOSE  
 WITHOUT OUR APPROVAL.

**Component**

Body, Nut & Washer  
 Center Contact  
 O-Ring  
 Insulator

**Material**

Stainless Steel  
 BeCu  
 Silicone Rubber  
 PTFE

**Plating**

Gold  
 Gold