

PART NUMBER

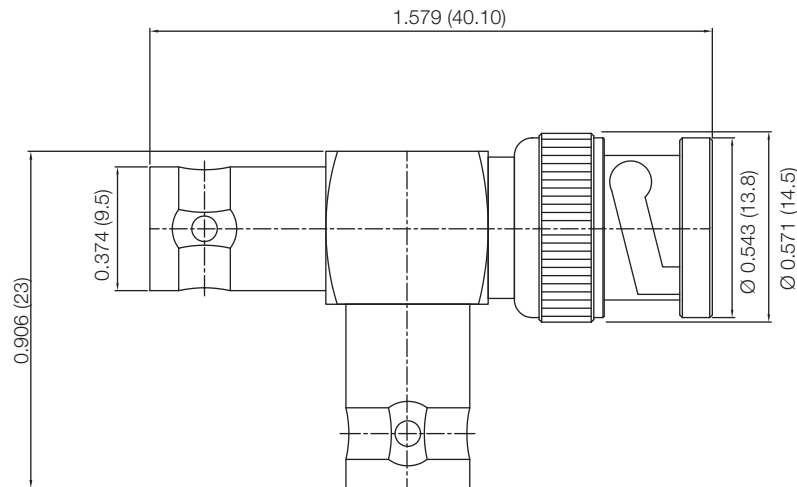
KAD178822

REV.

DATE

COMMENTS

INITIAL

Electrical DataImpedance 50 Ω **RoHS Compliant**

Drawing not to scale. Dimensions for reference only

Units: inches (mm)

Konnect RF

WWW.KONNECTRF.COM
1-800-790-5887

PART NUMBER

KAD178822

DESCRIPTION

Adapter, T-Type, BNC Female Jack to Female Jack to Male Plug

CAGE CODE

664U0

SIGNATURE

X

THIS DRAWING INCLUDING THE
DESIGNS IS THE PROPERTY OF
KONNECT RF AND IS NOT TO
BE USED FOR ANY PURPOSE
WITHOUT OUR APPROVAL.

Component

Body & Sleeve
Center Contact
Gasket
Insulator

Material

Brass
Brass
Silicone Rubber
PTFE

Plating

Nickel
Gold