

PART NUMBER

KAD178783

REV.

DATE

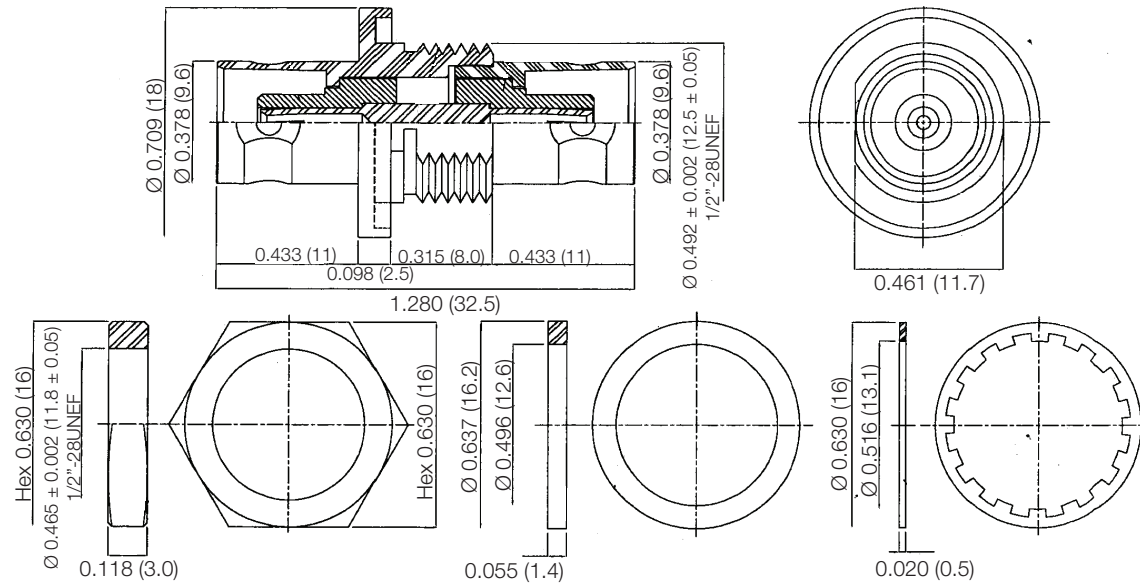
COMMENTS

INITIAL

Electrical Data

Impedance

50 Ω

RoHS Compliant

Drawing not to scale. Dimensions for reference only

Units: inches (mm)

Konnect RF

WWW.KONNECTRF.COM
1-800-790-5887

PART NUMBER

KAD178783

DESCRIPTION

**Adapter, In Series, BNC Female Jack to
Female Jack, Bulkhead, O-Ring Seal (IP67)**

CAGE CODE

664U0

SIGNATURE

X

THIS DRAWING INCLUDING THE
DESIGNS IS THE PROPERTY OF
KONNECT RF AND IS NOT TO
BE USED FOR ANY PURPOSE
WITHOUT OUR APPROVAL.

Component

Body, Nut, & Washer
Center Pin
O-Ring Seal (IP67)
Insulator

Material

Brass
Brass
Silicone Rubber
PTFE

Plating

Nickel
Gold