

PART NUMBER

KAD178779

REV.

DATE

COMMENTS

INITIAL

Electrical Data

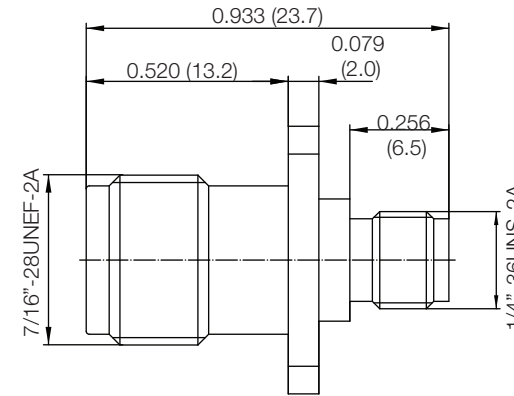
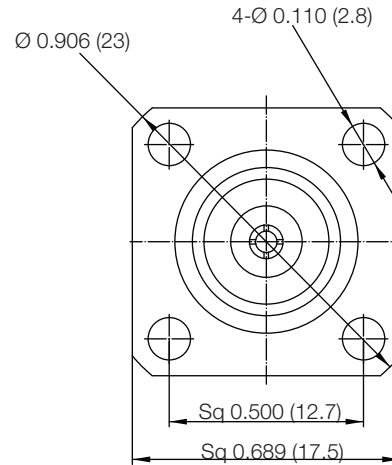
Impedance 50 Ω
 Frequency Range DC - 18 GHz.
 VSWR 1.25

Mechanical Data

Durability 500 Cycles Min.
 Temperature Range: -45 °C - 125 °C

Standards

SMA MIL-STD-348A
 TNC MIL-STD-348A

RoHS Compliant

Drawing not to scale. Dimensions for reference only

Units: inches (mm)

Konnect RF

WWW.KONNECTRF.COM
 1-800-790-5887

PART NUMBER

KAD178779

DESCRIPTION

Adapter, Between Series, TNC Female Jack to SMA Female Jack

CAGE CODE

664U0

SIGNATURE

X

THIS DRAWING INCLUDING THE
 DESIGNS IS THE PROPERTY OF
 KONNECT RF AND IS NOT TO
 BE USED FOR ANY PURPOSE
 WITHOUT OUR APPROVAL.

Component

Body
 Center Contact
 Insulator

Material

Stainless Steel
 BeCu
 PTFE

Plating/Finish

Passivated
 Gold